

LEGEND OF SYMBOLS

○ RD	ROOF DRAIN
○ VS	VENT STACK
→	ROOF SLOPE DIRECTION
	MASONRY CHIMNEY
R-1	FLAT ROOF NUMBER
S-5	SLOPED ROOF NUMBER
	ROOF AREA NOT INCLUDED

NOTATIONS

- DIMENSIONS PROVIDED ARE FOR REFERENCE, CONTRACTOR SHALL VERIFY ALL DIMENSIONS.
- DETAIL LOCATIONS PROVIDED ARE TYPICAL. NOT ALL DETAIL LOCATIONS MAY BE IDENTIFIED.
- CONTRACTOR SHALL RECORD, PRIOR TO DEMOLITION, LOCATION OF ALL GUTTER OUTLETS FOR PLACEMENT OF NEW TO MATCH EXISTING.
- CONTRACTOR SHALL SCRAPE, PREPARE, PRIME AND PROVIDE 2 FINISH COATS OF TRIM PAINT AT FASCIA, RAKES AND SOFFITS.

REVISIONS:
2.12.2021

THE DIMENSIONS GIVEN ON THE DRAWINGS AND THE LOCATIONS OF ROOF PENETRATIONS ARE OFFERED ONLY FOR CONVENIENCE AND ARE NOT WARRANTED TO BE CORRECT. THE BIDDER SHALL MAKE HIS OWN MEASUREMENTS TO DETERMINE THE SIZE OF THE ROOF AND PENETRATION LOCATIONS.

DRAWN BY: **KW** CHECKED BY: **JW**

H.F. H.B. FISHMAN & CO., INC.
300 PLEASANT VALLEY RD.
SOUTH WINDSOR, CT.
(860)282-9036

OWNERSHIP AND USE OF DOCUMENTS

DRAWINGS AND SPECIFICATION, AS INSTRUMENTS OF PROFESSIONAL SERVICE, ARE AND SHALL REMAIN THE PROPERTY OF THE CONSULTANT. THESE DOCUMENTS ARE NOT TO BE USED, IN WHOLE OR IN PART, FOR ANY PROJECTS OR PURPOSES WHATSOEVER, WITHOUT THE PRIOR SPECIFIC WRITTEN AUTHORIZATION OF H.B. FISHMAN & CO., INC.

SHEET TITLE:

**WESTON
PUBLIC LIBRARY**

56 NORFIELD STREET
WESTON, CONNECTICUT

**ROOF PLAN
(PLAN VIEW)**

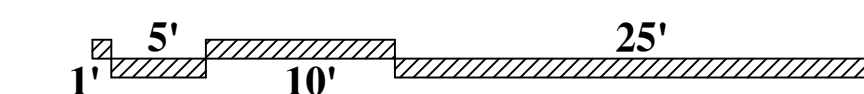
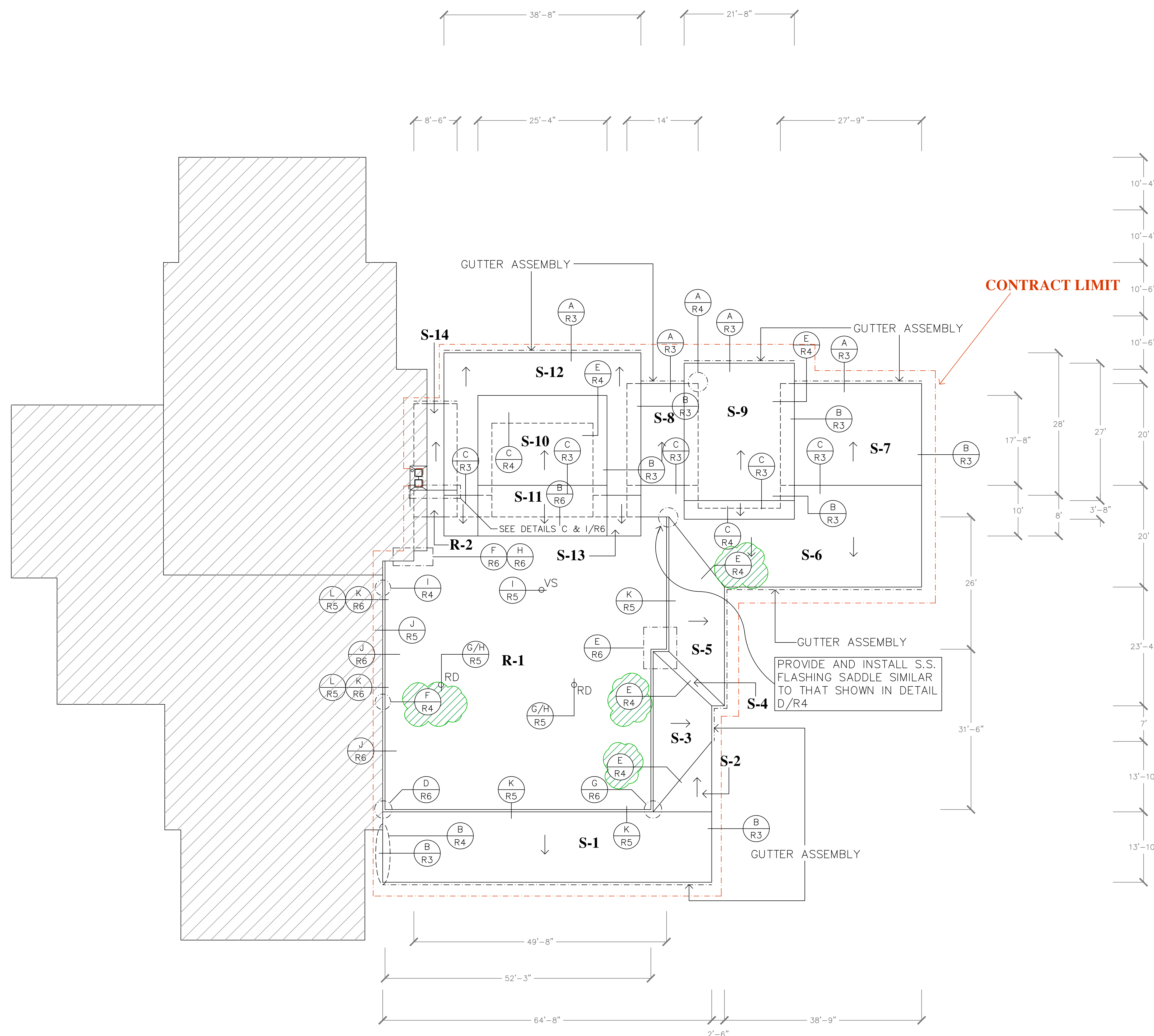
PROJECT NUMBER:
18048492.3
21028977.3

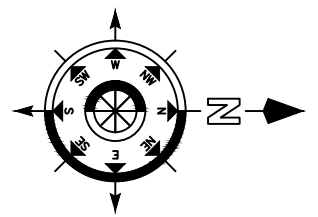
SCALE
1" = 3/32"

DATE
20 JULY 2018

DRAWING NUMBER

R1





LEGEND OF SYMBOLS

○ RD	ROOF DRAIN
○ VS	VENT STACK
→	ROOF SLOPE DIRECTION
	MASONRY CHIMNEY
R-1	FLAT ROOF NUMBER
S-5	SLOPED ROOF NUMBER
	ROOF AREAS TO RECEIVE FULLY ADHERED EPDM
	ROOF AREA NOT INCLUDED

NOTATIONS

- DIMENSIONS PROVIDED ARE FOR REFERENCE, CONTRACTOR SHALL VERIFY ALL DIMENSIONS.
- DETAIL LOCATIONS PROVIDED ARE TYPICAL. NOT ALL DETAIL LOCATIONS MAY BE IDENTIFIED.
- CONTRACTOR SHALL RECORD, PRIOR TO DEMOLITION, LOCATION OF ALL GUTTER OUTLETS FOR PLACEMENT OF NEW TO MATCH EXISTING.
- CONTRACTOR SHALL SCRAPE, PREPARE, PRIME AND PROVIDE 2 FINISH COATS OF TRIM PAINT AT FASCIA, RAKES AND SOFFITS.

THE DIMENSIONS GIVEN ON THE DRAWINGS AND THE LOCATIONS OF ROOF PENETRATIONS ARE OFFERED ONLY FOR CONVENIENCE AND ARE NOT WARRANTED TO BE CORRECT. THE BIDDER SHALL MAKE HIS OWN MEASUREMENTS TO DETERMINE THE SIZE OF THE ROOF AND PENETRATION LOCATIONS.

DRAWN BY: **KW** CHECKED BY: **JW**

H.F. H.B. FISHMAN & CO., INC.
300 PLEASANT VALLEY RD.
SOUTH WINDSOR, CT.
(860)282-9036

OWNERSHIP AND USE OF DOCUMENTS

DRAWINGS AND SPECIFICATION, AS INSTRUMENTS OF PROFESSIONAL SERVICE, ARE AND SHALL REMAIN THE PROPERTY OF THE CONSULTANT. THESE DOCUMENTS ARE NOT TO BE USED, IN WHOLE OR IN PART, FOR ANY PROJECTS OR PURPOSES WHATSOEVER, WITHOUT THE PRIOR SPECIFIC WRITTEN AUTHORIZATION OF H.B. FISHMAN & CO., INC.

SHEET TITLE:

**WESTON
PUBLIC LIBRARY**

56 NORFIELD STREET
WESTON, CONNECTICUT

**FULLY ADHERED EPDM
AND TAPERED INSULATION
ROOF PLAN**

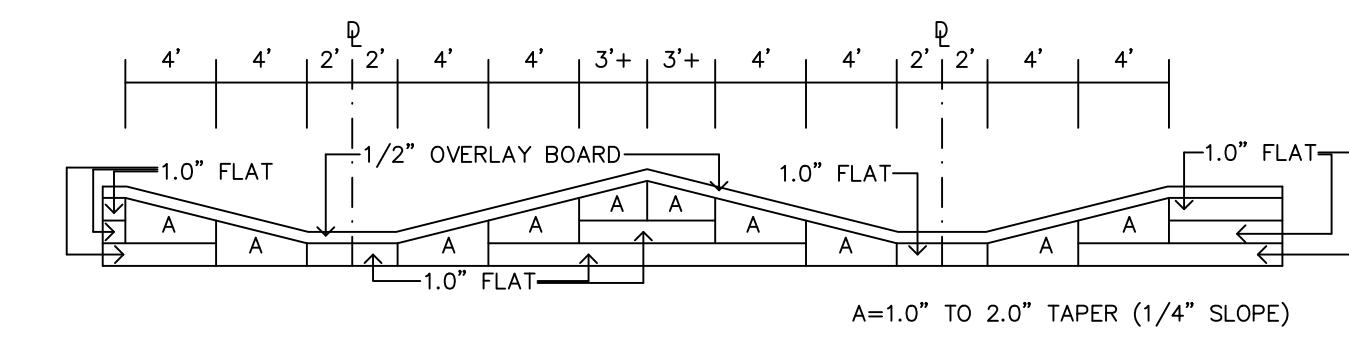
PROJECT NUMBER:
18048492.3
21028977.3

DRAWING NUMBER

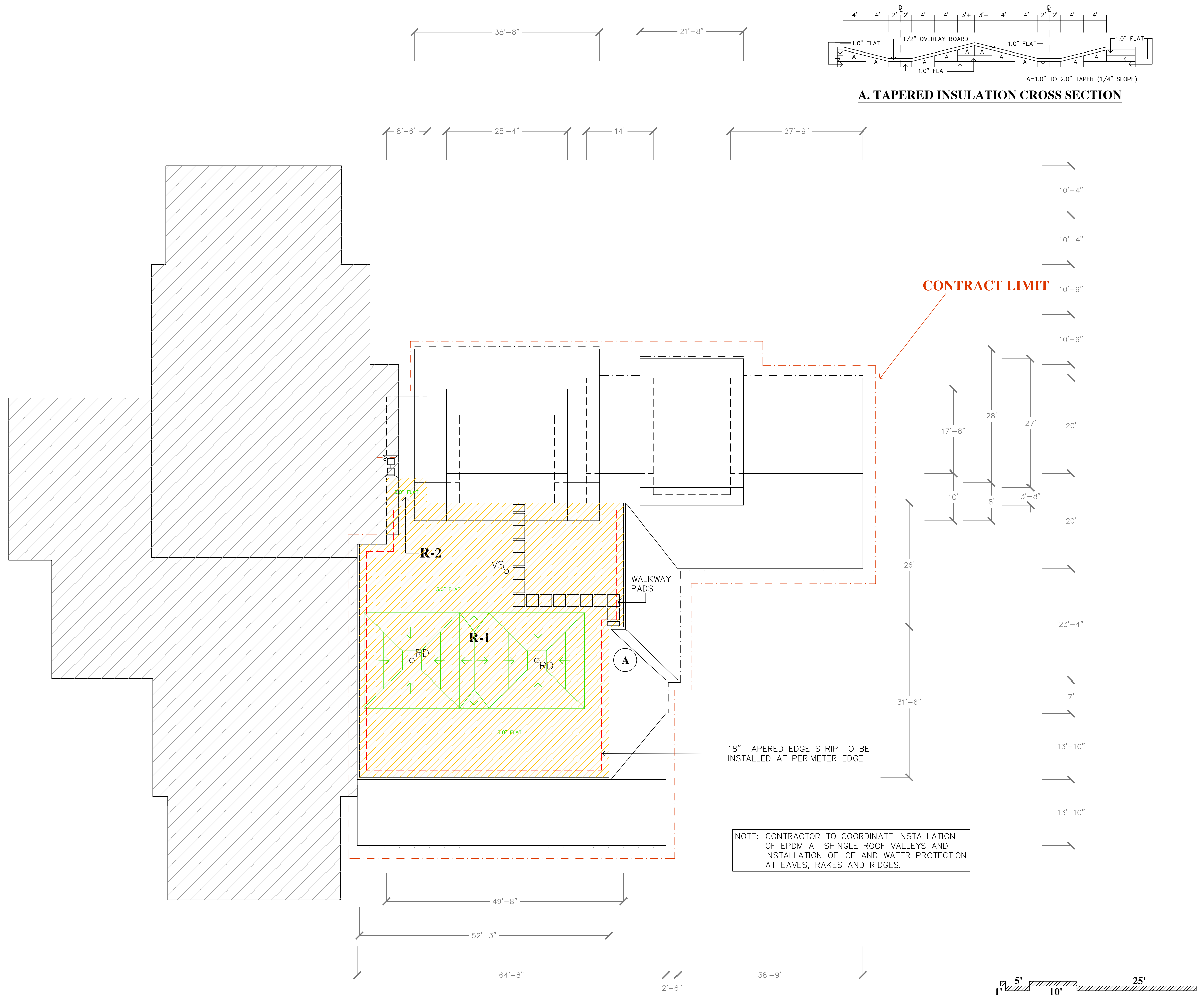
SCALE
1" = 3/32"

R2

DATE
20 JULY 2018



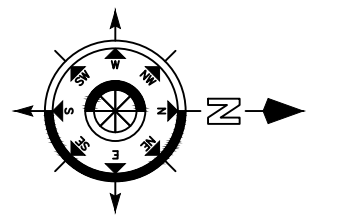
A. TAPERED INSULATION CROSS SECTION



NOTE: CONTRACTOR TO COORDINATE INSTALLATION OF EPDM AT SHINGLE ROOF VALLEYS AND INSTALLATION OF ICE AND WATER PROTECTION AT EAVES, RAKES AND RIDGES.

18" TAPERED EDGE STRIP TO BE INSTALLED AT PERIMETER EDGE

CONTRACT LIMIT



LEGEND OF SYMBOLS

○ RD	ROOF DRAIN
○ VS	VENT STACK
→	ROOF SLOPE DIRECTION
	MASONRY CHIMNEY
R-1	FLAT ROOF NUMBER
S-5	SLOPED ROOF NUMBER
	ICE AND WATER PROTECTION
	ROOF AREA NOT INCLUDED

NOTATIONS

- DIMENSIONS PROVIDED ARE FOR REFERENCE, CONCTORACTOR SHALL VERIFY ALL DIMENSIONS.
- DETAIL LOCATIONS PROVIDED ARE TYPICAL. NOT ALL DETAIL LOCATIONS MAY BE IDENTIFIED.
- CONTRACTOR SHALL RECORD, PRIOR TO DEMOLITION, LOCATION OF ALL GUTTER OUTLETS FOR PLACEMENT OF NEW TO MATCH EXISTING.
- CONTRACTOR SHALL SCRAPE, PREPARE, PRIME AND PROVIDE 2 FINISH COATS OF TRIM PAINT AT FASCIA, RAKES AND SOFFITS.

REVISIONS:
2.12.2021

THE DIMENSIONS GIVEN ON THE DRAWINGS AND THE LOCATIONS OF ROOF PENETRATIONS ARE OFFERED ONLY FOR CONVENIENCE AND ARE NOT WARRANTED TO BE CORRECT. THE BIDDER SHALL MAKE HIS OWN MEASUREMENTS TO DETERMINE THE SIZE OF THE ROOF AND PENETRATION LOCATIONS.

DRAWN BY: **KW** CHECKED BY: **JW**

H.F. H.B. FISHMAN & CO.,INC.
300 PLEASANT VALLEY RD.
SOUTH WINDSOR, CT.
(860)282-9036

OWNERSHIP AND USE OF DOCUMENTS

DRAWINGS AND SPECIFICATION, AS INSTRUMENTS OF PROFESSIONAL SERVICE, ARE AND SHALL REMAIN THE PROPERTY OF THE CONSULTANT. THESE DOCUMENTS ARE NOT TO BE USED, IN WHOLE OR IN PART, FOR ANY PROJECTS OR PURPOSES WHATSOEVER, WITHOUT THE PRIOR SPECIFIC WRITTEN AUTHORIZATION OF H.B. FISHMAN & CO., INC.

SHEET TITLE:

**WESTON
PUBLIC LIBRARY**

56 NORFIELD STREET
WESTON, CONNECTICUT

**ICE AND WATER
PROTECTION PLAN**

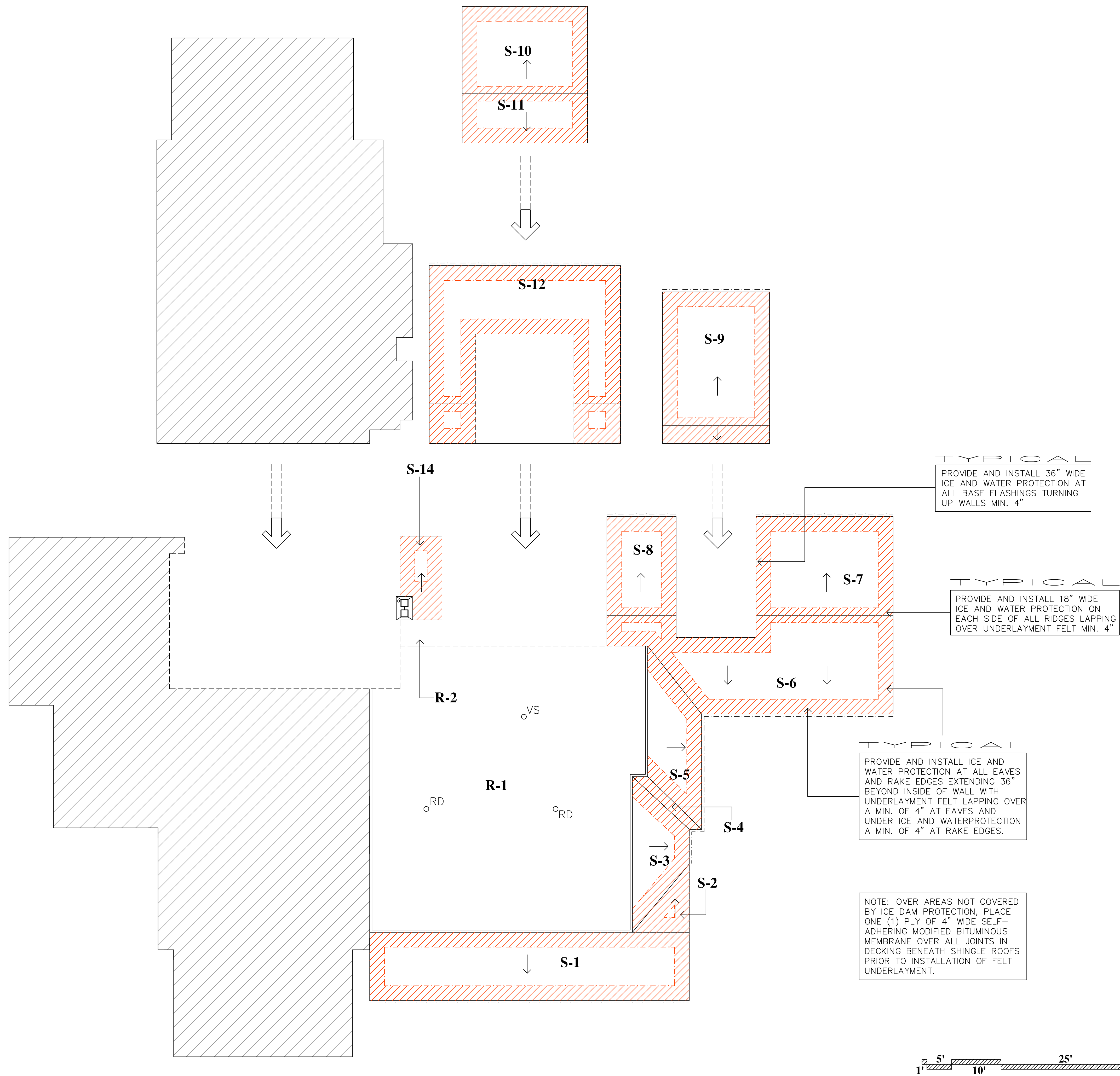
PROJECT NUMBER:
18048492.3
21028977.2

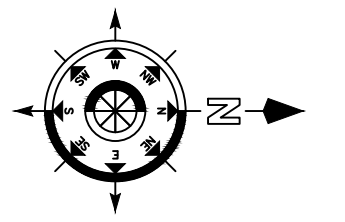
SCALE
1"=3/32"

DATE
20 JULY 2018

DRAWING NUMBER

R2a





LEGEND OF SYMBOLS

○ RD	ROOF DRAIN
○ VS	VENT STACK
→	ROOF SLOPE DIRECTION
	MASONRY CHIMNEY
R-1	FLAT ROOF NUMBER
S-5	SLOPED ROOF NUMBER
	ROOF AREA NOT INCLUDED

NOTATIONS

- DIMENSIONS PROVIDED ARE FOR REFERENCE, CONCTORACTOR SHALL VERIFY ALL DIMENSIONS.
- DETAIL LOCATIONS PROVIDED ARE TYPICAL. NOT ALL DETAIL LOCATIONS MAY BE IDENTIFIED.
- CONTRACTOR SHALL RECORD, PRIOR TO DEMOLITION, LOCATION OF ALL GUTTER OUTLETS FOR PLACEMENT OF NEW TO MATCH EXISTING.
- CONTRACTOR SHALL SCRAPE, PREPARE, PRIME AND PROVIDE 2 FINISH COATS OF TRIM PAINT AT FASCIA, RAKES AND SOFFITS.

REVISIONS:
2.12.2021

THE DIMENSIONS GIVEN ON THE DRAWINGS AND THE LOCATIONS OF ROOF PENETRATIONS ARE OFFERED ONLY FOR CONVENIENCE AND ARE NOT WARRANTED TO BE CORRECT. THE BIDDER SHALL MAKE HIS OWN MEASUREMENTS TO DETERMINE THE SIZE OF THE ROOF AND PENETRATION LOCATIONS.

DRAWN BY: **KW** CHECKED BY: **JW**

H.F. H.B. FISHMAN & CO.,INC.
300 PLEASANT VALLEY RD.
SOUTH WINDSOR, CT.
(860)282-9036

OWNERSHIP AND USE OF DOCUMENTS

DRAWINGS AND SPECIFICATION, AS INSTRUMENTS OF PROFESSIONAL SERVICE, ARE AND SHALL REMAIN THE PROPERTY OF THE CONSULTANT. THESE DOCUMENTS ARE NOT TO BE USED, IN WHOLE OR IN PART, FOR ANY PROJECTS OR PURPOSES WHATSOEVER, WITHOUT THE PRIOR SPECIFIC WRITTEN AUTHORIZATION OF H.B. FISHMAN & CO., INC.

SHEET TITLE:

**WESTON
PUBLIC LIBRARY**

56 NORFIELD STREET
WESTON, CONNECTICUT

**INSULATION
FASTENING PATTERN**

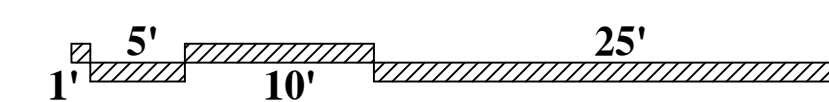
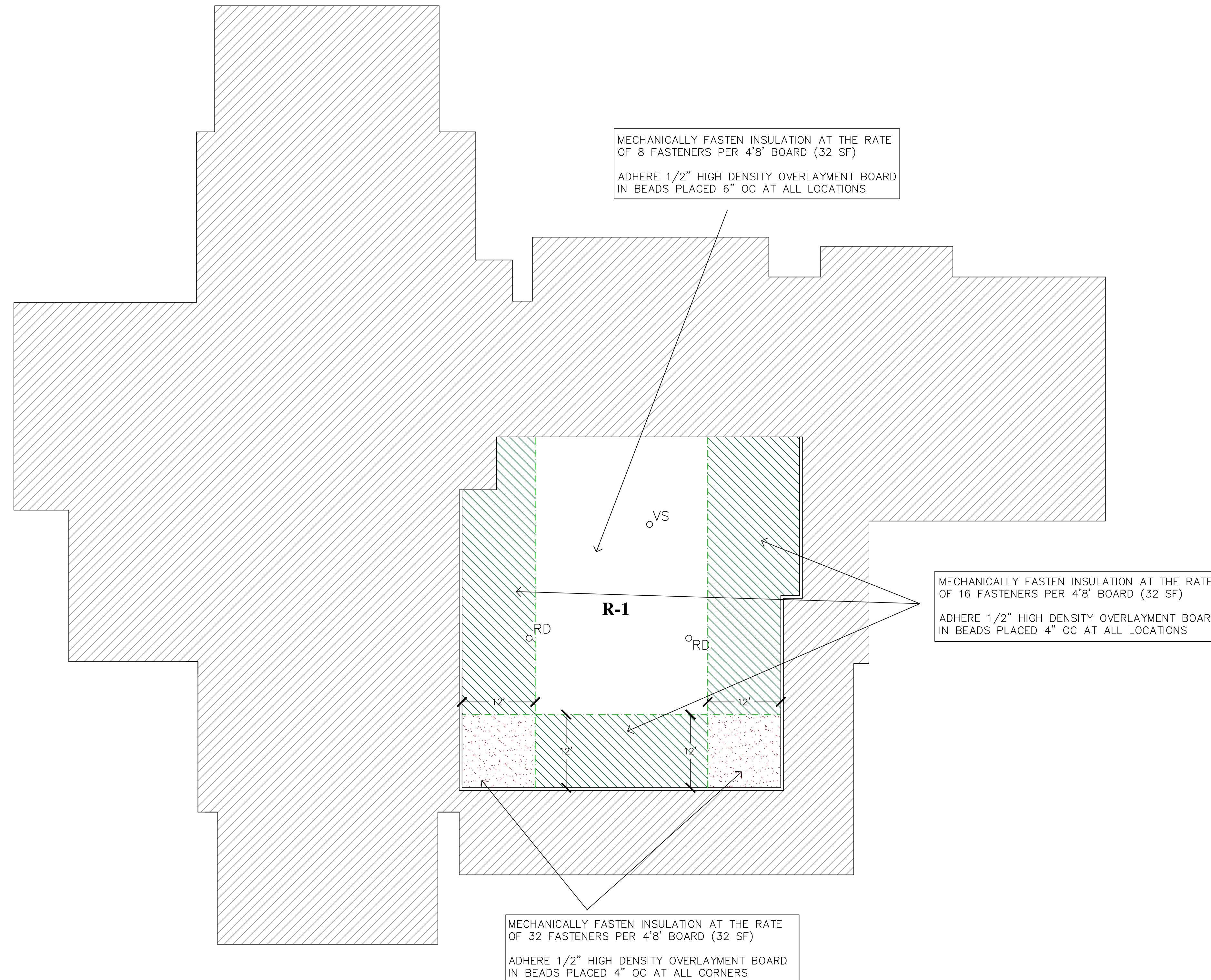
PROJECT NUMBER:
18048492.3
21028977.3

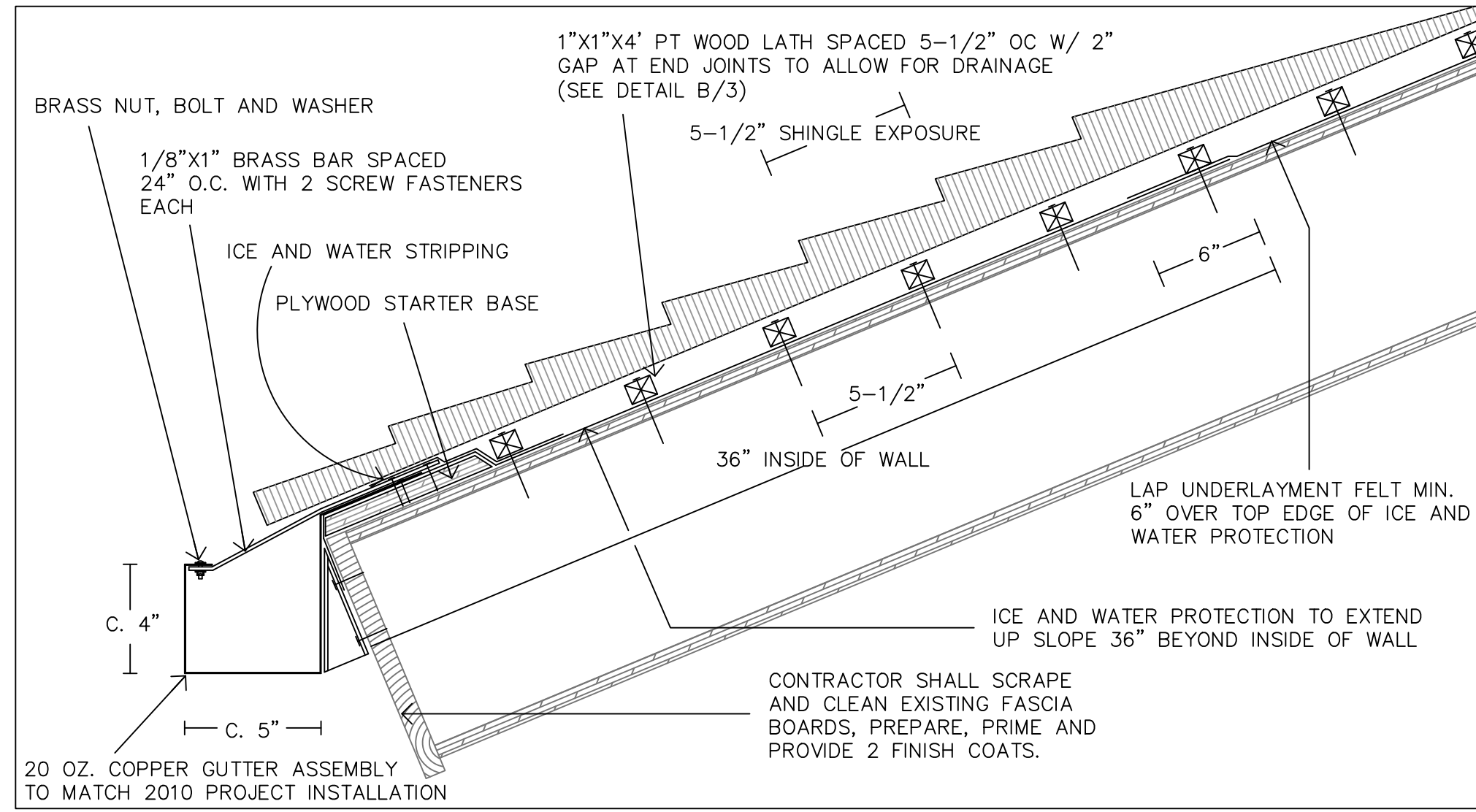
SCALE
1" = 3/32"

DATE
20 JULY 2018

DRAWING NUMBER

R2b





A GUTTER AT EAVE
R3

NOTE: 1. CONTRACTOR SHALL PROVIDE AND INSTALL COPPER END CAPS AT ONE END OF GUTTER ASSEMBLY ONLY WHEN WATER DRAINS TO DRAINAGE PIT. AT SHORT RUNS OF GUTTER, CONTRACTOR SHALL PROVIDE AND INSTALL GUTTER END CAPS AT BOTH ENDS W/ OUTLET TUBE ONLY OVER DRAINAGE PIT. 2. FIELD CONDITIONS MAY DICTATE REPLACEMENT OF SOME EXISTING SCUPPERS WITH SHORT RUN GUTTERS.

NOTE: AT EAVE LOCATIONS CONTRACTOR SHALL REMOVE DITTEL BLOCKS, PREPARE, PRIME, AND PAINT FACIA BOARD WITH TWO (2) FINISH COATS WITH COLOR TO MATCH EXISTING WOOD FACIA AT EAVES, RAKES AND SOFFITS.

1"X1"X4' PT WOOD LATH SPACED 5-1/2" OC W/ 2" GAP AT END JOINTS TO ALLOW DRAINAGE (SEE DETAIL A/3)

FOR COMPONENTS AND INSTALLATION SEE DETAILS B/3, C/3, D/3 AND E/3 FROM 2010 PROJECT INSTALLATION



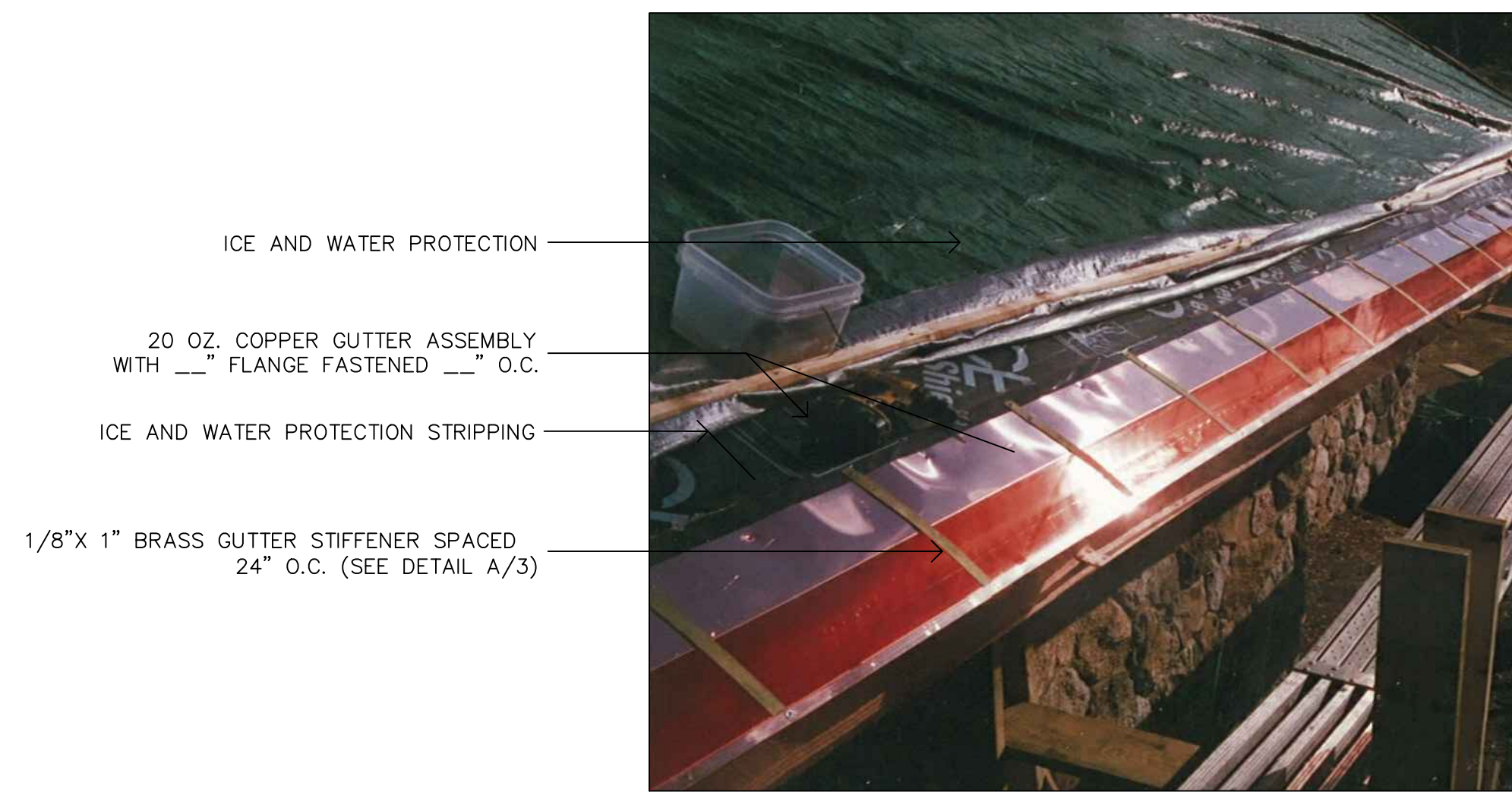
B SHINGLE LATH SPACING
R3 (2010 PROJECT)



20 OZ. COPPER GUTTER ASSEMBLY (SEE DETAIL A/3)

20 OZ. COPPER GUTTER BRACKET SPACED APPROX. 24" OC

C GUTTER INSTALLATION
R3 (2010 PROJECT)



ICE AND WATER PROTECTION
20 OZ. COPPER GUTTER ASSEMBLY WITH 1/2" FLANGE FASTENED 1/2" O.C.
ICE AND WATER PROTECTION STRIPPING
1/8"X 1" BRASS GUTTER STIFFENER SPACED 24" O.C. (SEE DETAIL A/3)

D GUTTER INSTALLATION
R3 (2010 PROJECT)



20 OZ. COPPER GUTTER BRACKET, SHOP FABRICATED.

E GUTTER BRACKET
R3 (2010 PROJECT)

NOTE: IT IS THE INTENT OF THESE DRAWINGS AND SPECIFICATIONS THAT THE COMPLETED REROOFING SHALL RESEMBLE THE PREVIOUSLY COMPLETED PROJECT IN MATERIALS, WORKMANSHIP AND APPEARANCE, LESS WEATHERING OF MATERIALS.

THE DIMENSIONS GIVEN ON THE DRAWINGS AND THE LOCATIONS OF ROOF PENETRATIONS ARE OFFERED ONLY FOR CONVENIENCE AND ARE NOT WARRANTED TO BE CORRECT. THE BIDDER SHALL MAKE HIS OWN MEASUREMENTS TO DETERMINE THE SIZE OF THE ROOF AND PENETRATION LOCATIONS.

DRAWN BY: **KW** CHECKED BY: **JW**

H.F. H.B. FISHMAN & CO., INC.
300 PLEASANT VALLEY RD.
SOUTH WINDSOR, CT.
(860)282-9036

OWNERSHIP AND USE OF DOCUMENTS

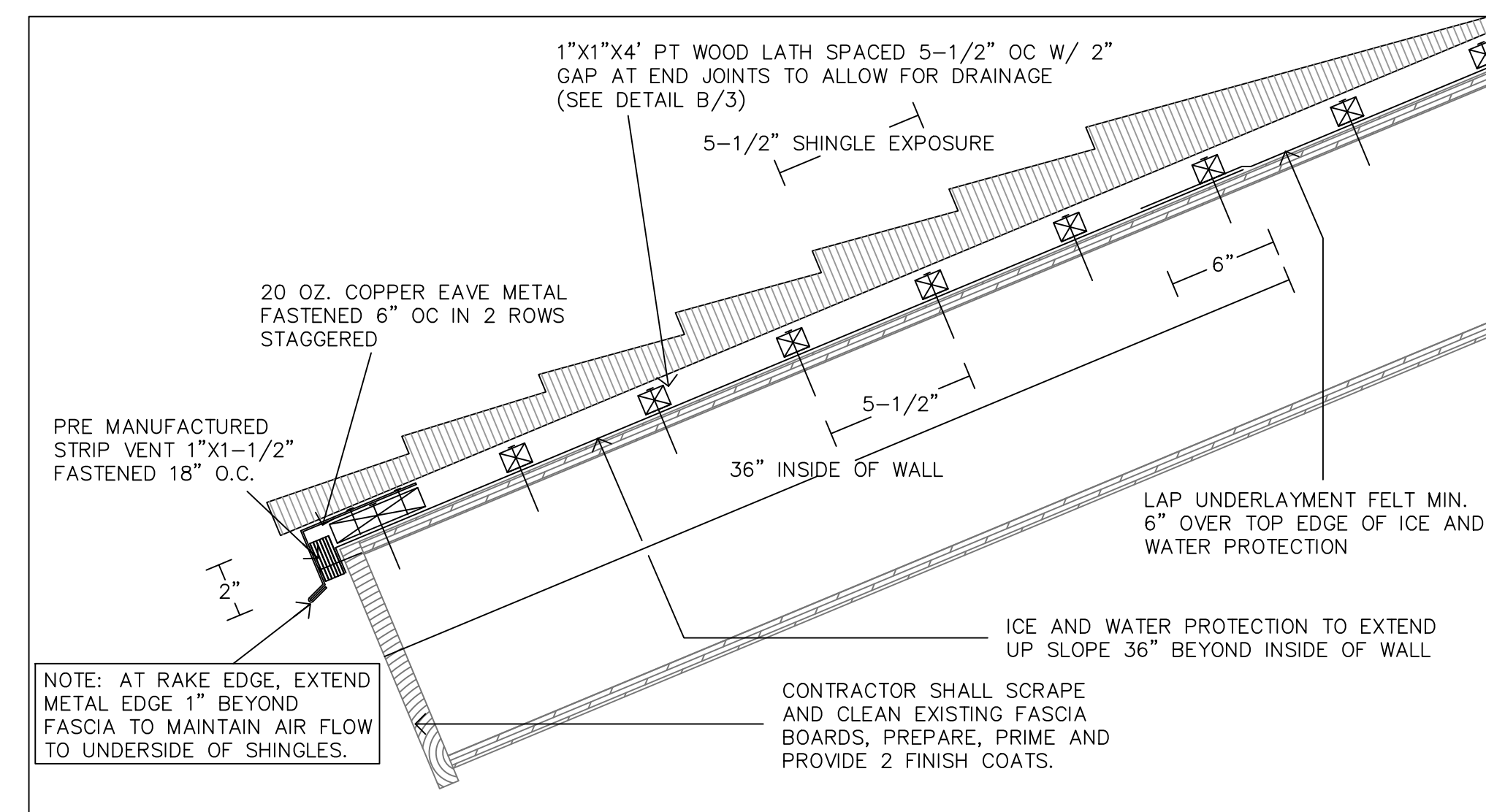
DRAWINGS AND SPECIFICATION, AS INSTRUMENTS OF PROFESSIONAL SERVICE, ARE AND SHALL REMAIN THE PROPERTY OF THE CONSULTANT. THESE DOCUMENTS ARE NOT TO BE USED, IN WHOLE OR IN PART, FOR ANY PROJECTS OR PURPOSES WHATSOEVER, WITHOUT THE PRIOR SPECIFIC WRITTEN AUTHORIZATION OF H.B. FISHMAN & CO., INC.

SHEET TITLE:

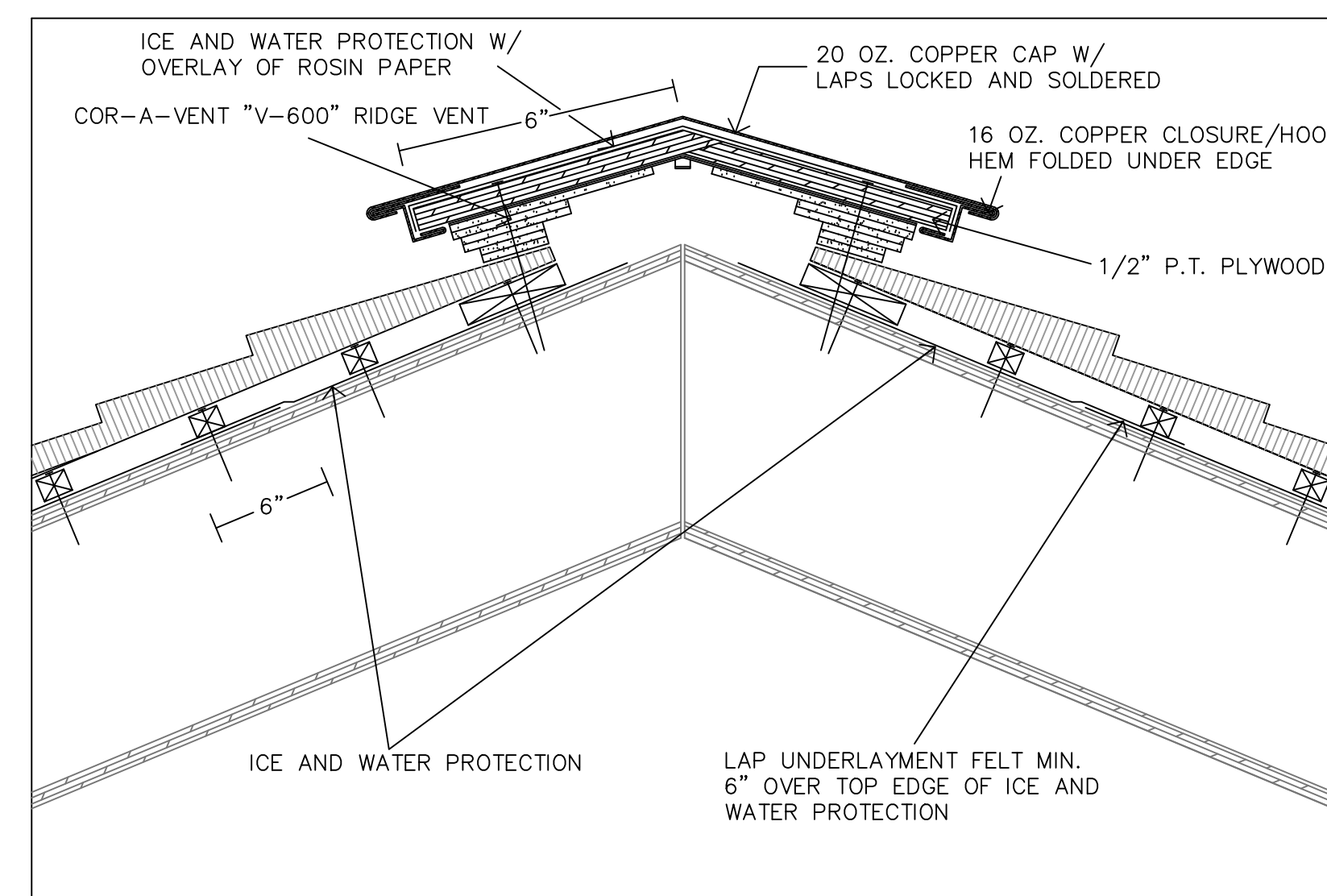
WESTON PUBLIC LIBRARY

56 NORFIELD STREET
WESTON, CONNECTICUT

ROOF DETAILS



F EAVE/RAKE FLASHING
R3



G RIDGE CAP
R3



COPPER RIDGE CAP SEE DETAIL G/3 FOR RIDGE CAP CROSS SECTION AND INSTALLATION.

RED ROSIN

NEW SHINGLE INSTALLATION SEE DETAILS B/3 FOR ROOF CROSS SECTION AND IMAGE AT B/3 FOR INSTALLATION OF WOOD LATH.

ICE AND WATER PROTECTION OVER INSTALLED PLYWOOD BASE

H RIDGE CAP INSTALLATION
R3 (2010 PROJECT)

PROJECT NUMBER:
18048492.3
21028977.3

SCALE
NOT TO SCALE

DATE
20 JULY 2018

DRAWING NUMBER

R3



PROVIDE AND INSTALL 20 OZ. COPPER "KICKER"/CLOSURE AT TRIM RETURN TO MOVE THE FLOW OF WATER AWAY FROM SIDING/TRIM

PROVIDE AND INSTALL METAL EDGE AS SHOWN IN DETAIL F/R3 OR GUTTER AS SHOWN IN A/R3 WHERE APPROPRIATE

A STEP FLASHING KICKER

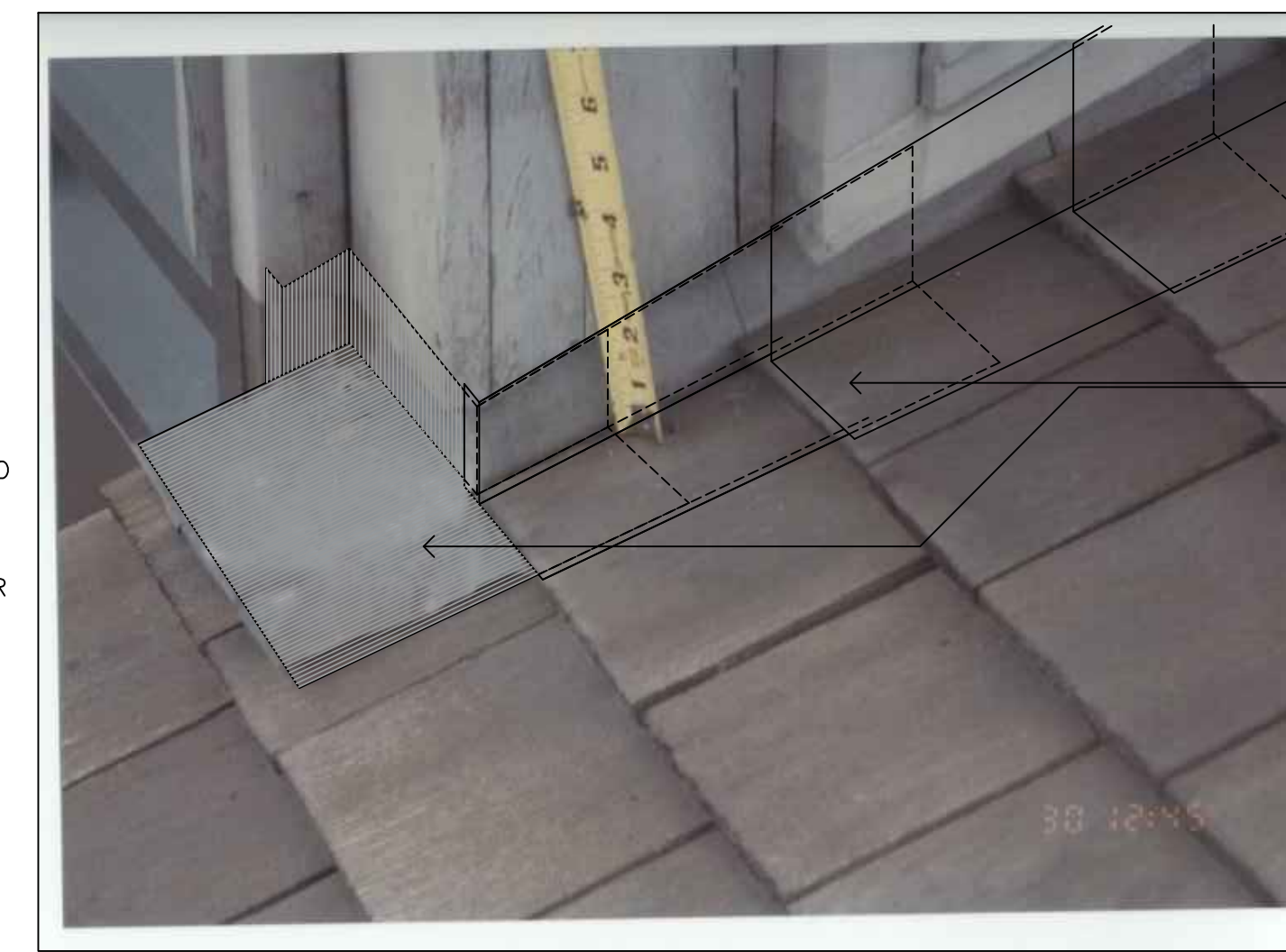
R4



PROVIDE AND INSTALL NEW 20 OZ. COPPER BASEFLASHING WITH WRAPPED CORNERS AT TRANSITION TO STEP FLASHINGS. SECURE LEADING EDGE OF BASEFLASHING TO PRE PLACED 20 OZ. COPPER HOOKSTRIP. SEE DETAIL C/R4 FOR TYPICAL.

B TYPICAL SHINGLE BASE FLASHING

R4



PROVIDE AND INSTALL NEW 20 OZ. COPPER STEP FLASHING AND BASEFLASHING WITH CLOSURE AT INSIDE AND OUTSIDE CORNERS,

SECURE BASEFLASHING LEADING EDGE W/ 20 OZ. COPPER HOOKSTRIP.

NOTE: CONTRACTOR SHALL MAINTAIN USE OF EXISTING STEP FLASHING AND SLIP NEW COPPER STEP FLASHINGS UP BEHIND EXISTING TO MAINTAIN WATER TIGHTNESS.

C TYPICAL SHINGLE STEP FLASHING

R4



PROVIDE AND INSTALL NEW COPPER FLASHING TRANSITION/SADDLE WITH ALL SEAMS CONTINUOUSLY WELDED AS REQUIRED.

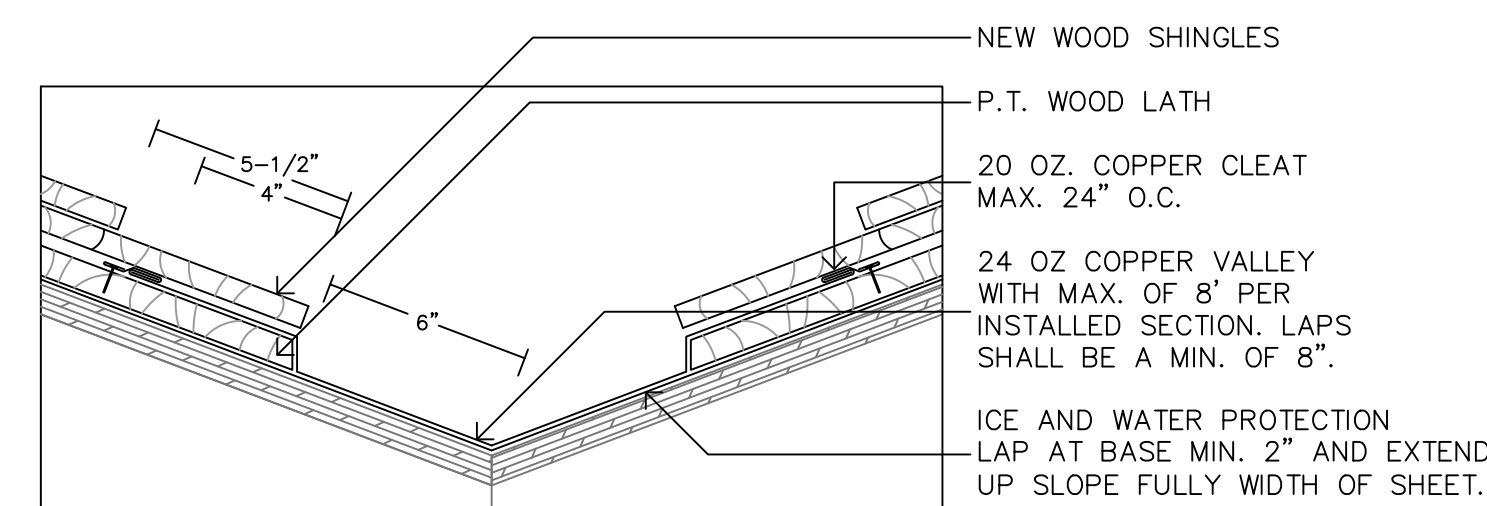
PROVIDE AND INSTALL 20 OZ. COPPER METAL EDGE AS SHOWN IN DETAIL J/R5

COPPER STEP FLASHING INSTALLED IN 2010 TO REMAIN

EPDM WALL FLASHING INSTALLED IN 2010 TO REMAIN

D SHINGLE/PARAPET WALL TRANSITION

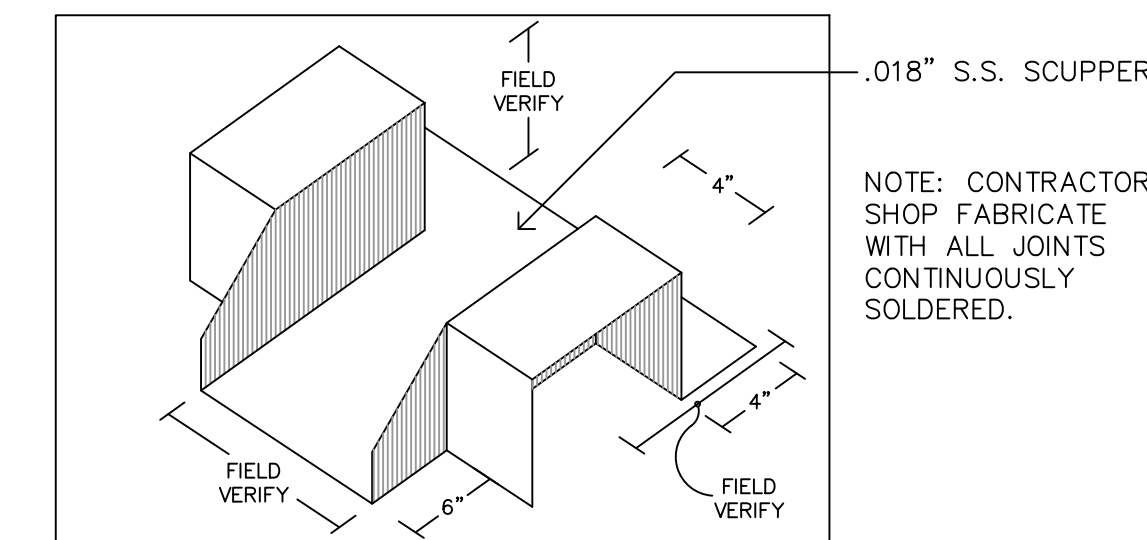
R4



NOTE: CONTRACTOR SHALL STRIP IN TOP EDGE OF UNDERLYING VALLEY PANEL PRIOR TO INSTALLATION OF TOP/LAPPED VALLEY PANEL WITH ICE AND WATER PROTECTION.

E VALLEY FLASHING

R4



NOTE: ALL SEAMS CONTINUOUSLY SOLDERED.

F SCUPPER SCHEMATIC

R4

LEGEND OF SYMBOLS

NOTATIONS

- CONTRACTOR SHALL SCRABE, PREPARE, PRIME AND PROVIDE 2 FINISH COATS OF TRIM PAINT AT FASCIA, RAKES AND SOFFITS.

THE DIMENSIONS GIVEN ON THE DRAWINGS AND THE LOCATIONS OF ROOF PENETRATIONS ARE OFFERED ONLY FOR CONVENIENCE AND ARE NOT WARRANTED TO BE CORRECT. THE BIDDER SHALL MAKE HIS OWN MEASUREMENTS TO DETERMINE THE SIZE OF THE ROOF AND PENETRATION LOCATIONS.

DRAWN BY: KW CHECKED BY: JW

H.F. H.B. FISHMAN & CO.,INC.
300 PLEASANT VALLEY RD.
SOUTH WINDSOR, CT.
(860)282-9036

OWNERSHIP AND USE OF DOCUMENTS

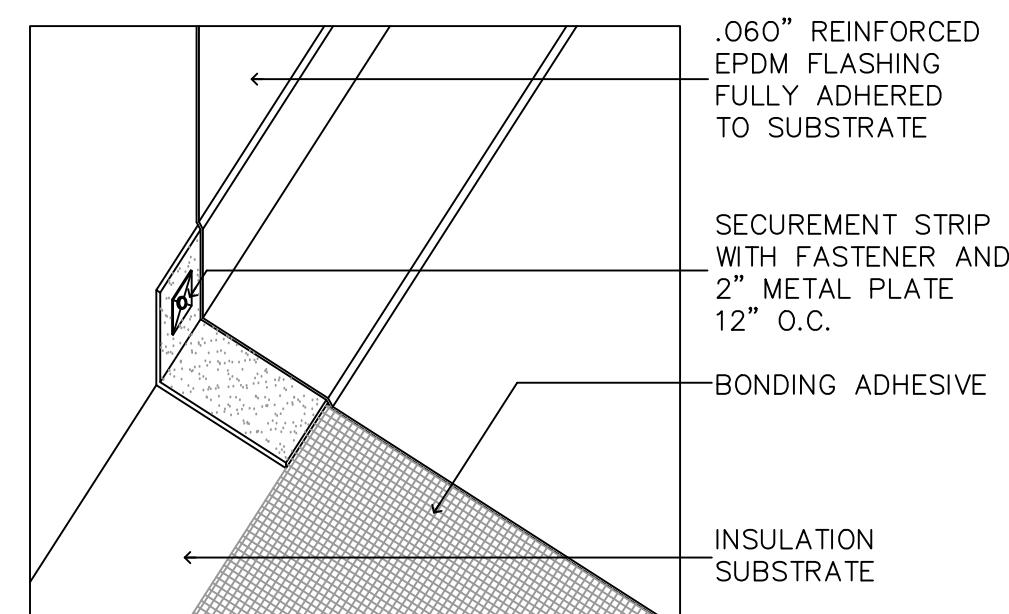
DRAWINGS AND SPECIFICATION, AS INSTRUMENTS OF PROFESSIONAL SERVICE, ARE AND SHALL REMAIN THE PROPERTY OF THE CONSULTANT. THESE DOCUMENTS ARE NOT TO BE USED, IN WHOLE OR IN PART, FOR ANY PROJECTS OR PURPOSES WHATSOEVER, WITHOUT THE PRIOR SPECIFIC WRITTEN AUTHORIZATION OF H.B. FISHMAN & CO., INC.

SHEET TITLE:
**WESTON
PUBLIC LIBRARY**

56 NORFIELD STREET
WESTON, CONNECTICUT

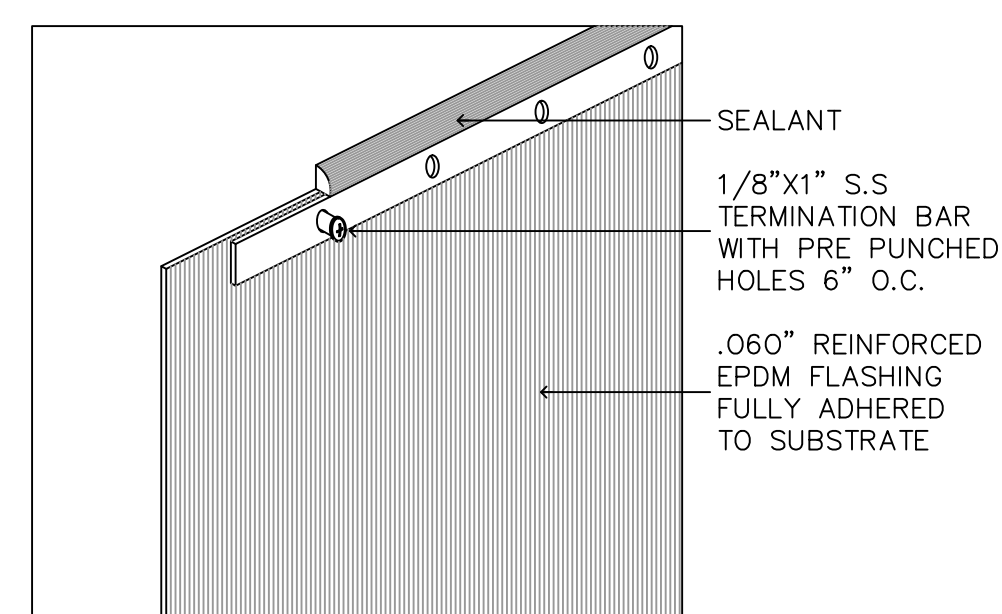
ROOF DETAILS

PROJECT NUMBER: 18048492.3 21028977.3	DRAWING NUMBER R4
SCALE NOT TO SCALE	
DATE 20 JULY 2018	

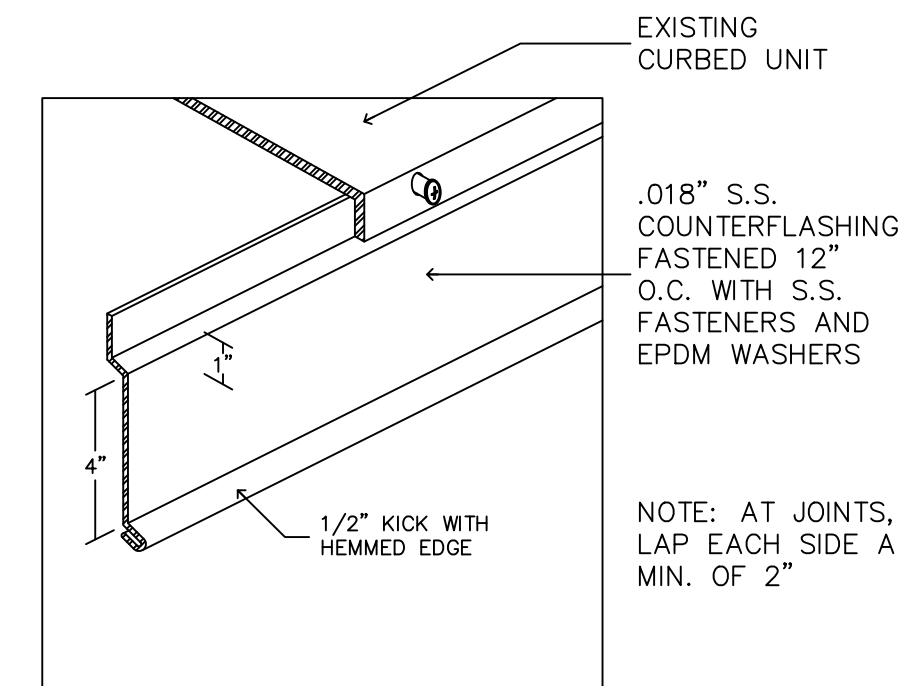


NOTE: SEE DETAIL B/R-5 FOR BASE FLASHING TERMINATION AT TOP OF FLASHING.

A
R5 **BASE FLASHING**

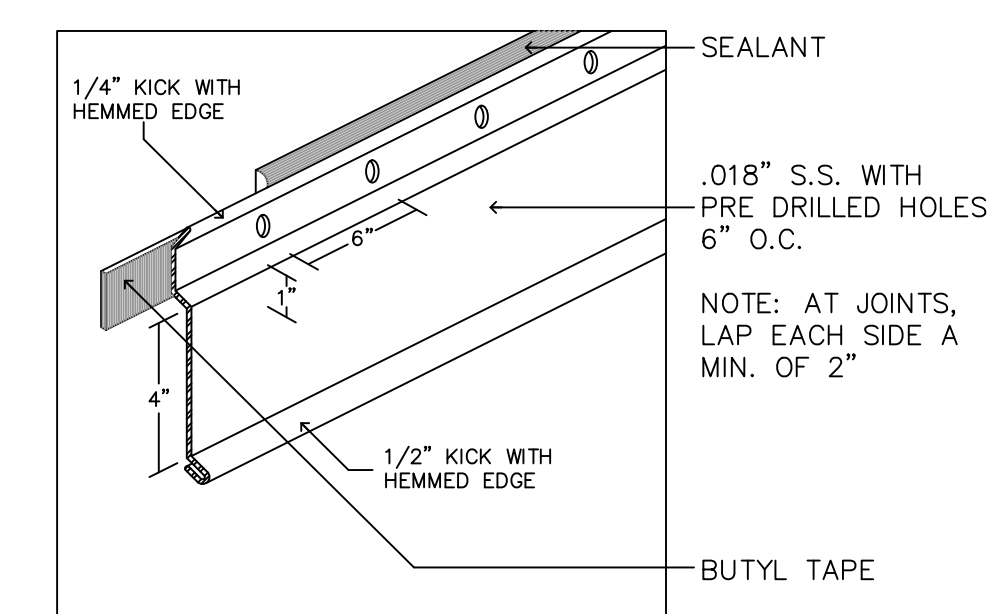


B
R5 **BASE FLASHING TERMINATION**

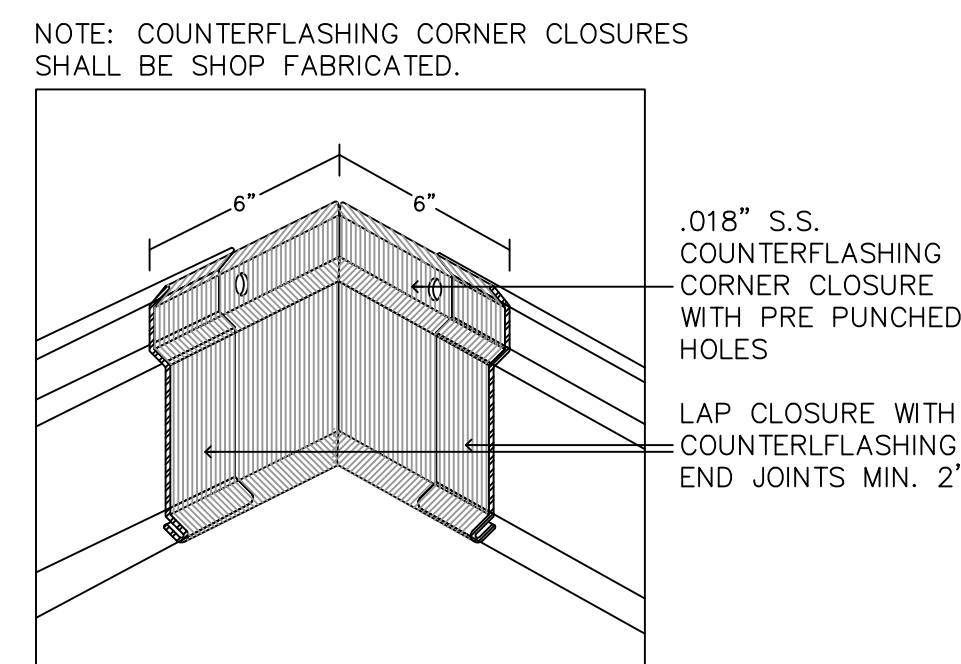


NOTE: SEE DETAILS E/R-5 AND F/R-5 FOR FABRICATION OF SIMILAR INSIDE/OUTSIDE CORNER AT COUNTERFLASHINGS.

C
R5 **CURB MOUNTED COUNTERFLASHING**



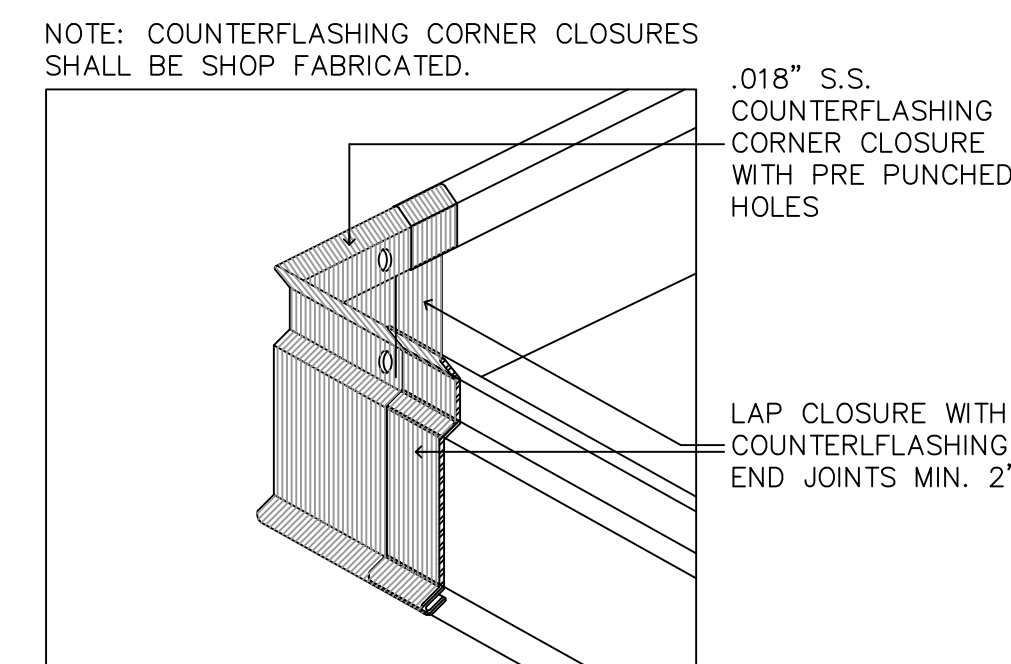
D
R5 **SURFACE MOUNTED COUNTERFLASHING**



NOTE: COUNTERFLASHING CORNER CLOSURES SHALL BE SHOP FABRICATED.

NOTE: SEE DETAIL C & D/R-5 FOR COUNTERFLASHING AND CLOSURE INSTALLATION.

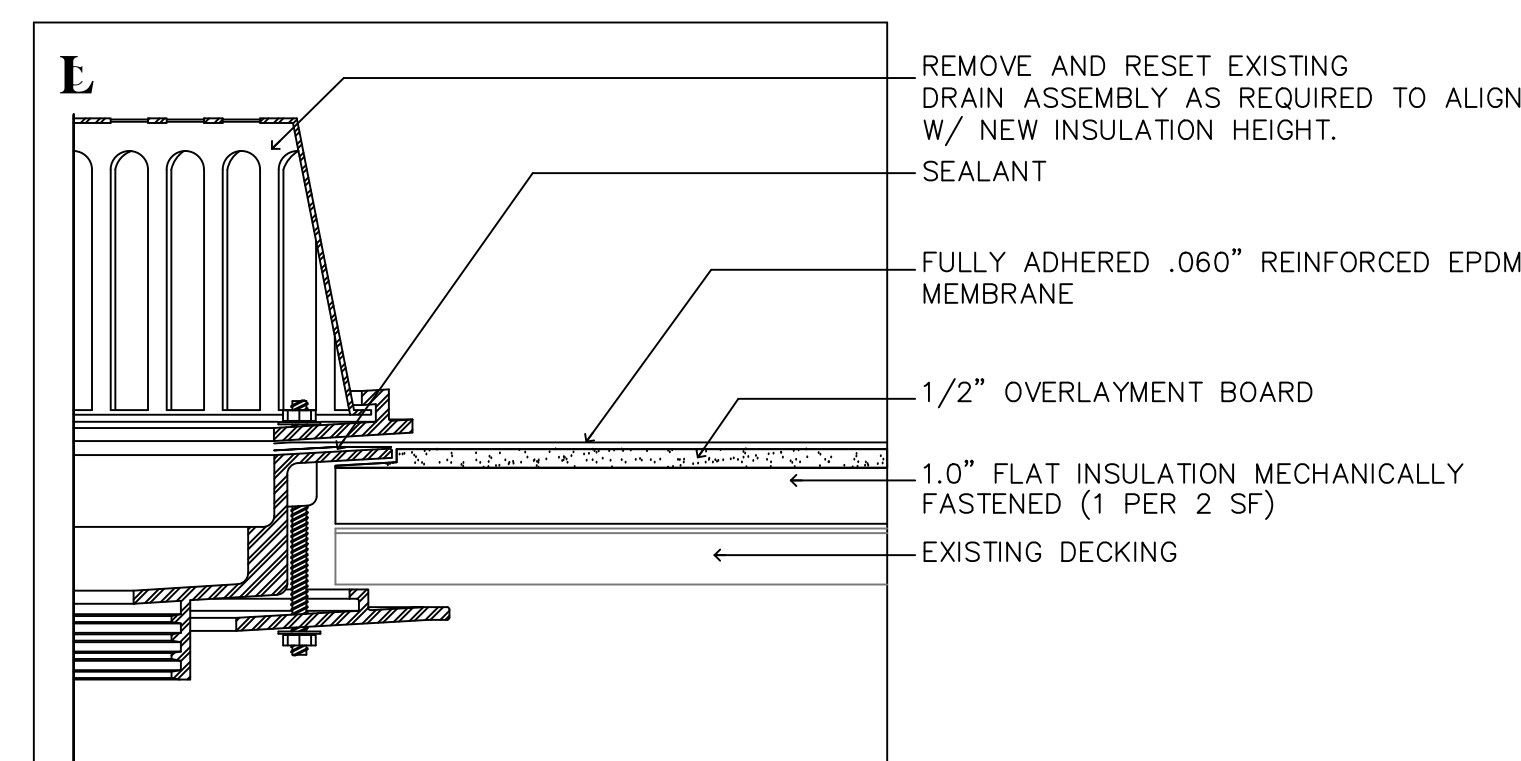
E
R5 **INSIDE COUNTERFLASHING CLOSURE**



NOTE: COUNTERFLASHING CORNER CLOSURES SHALL BE SHOP FABRICATED.

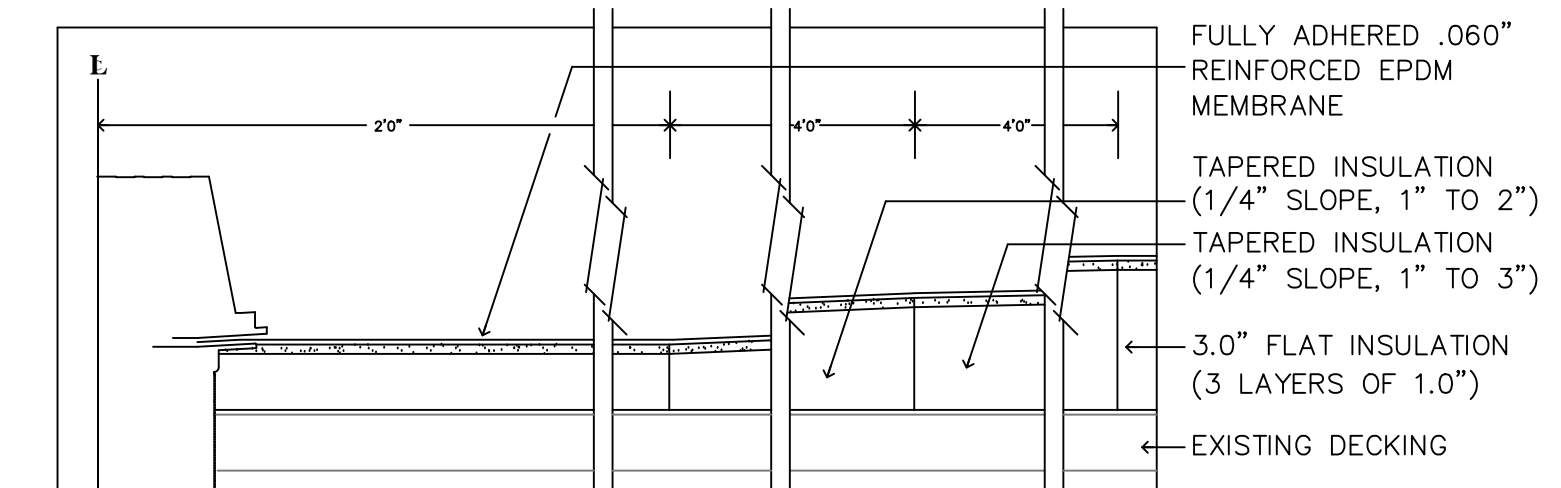
NOTE: SEE DETAIL C & D/R-5 FOR COUNTERFLASHING AND CLOSURE INSTALLATION.

F
R5 **OUTSIDE COUNTERFLASHING CLOSURE**



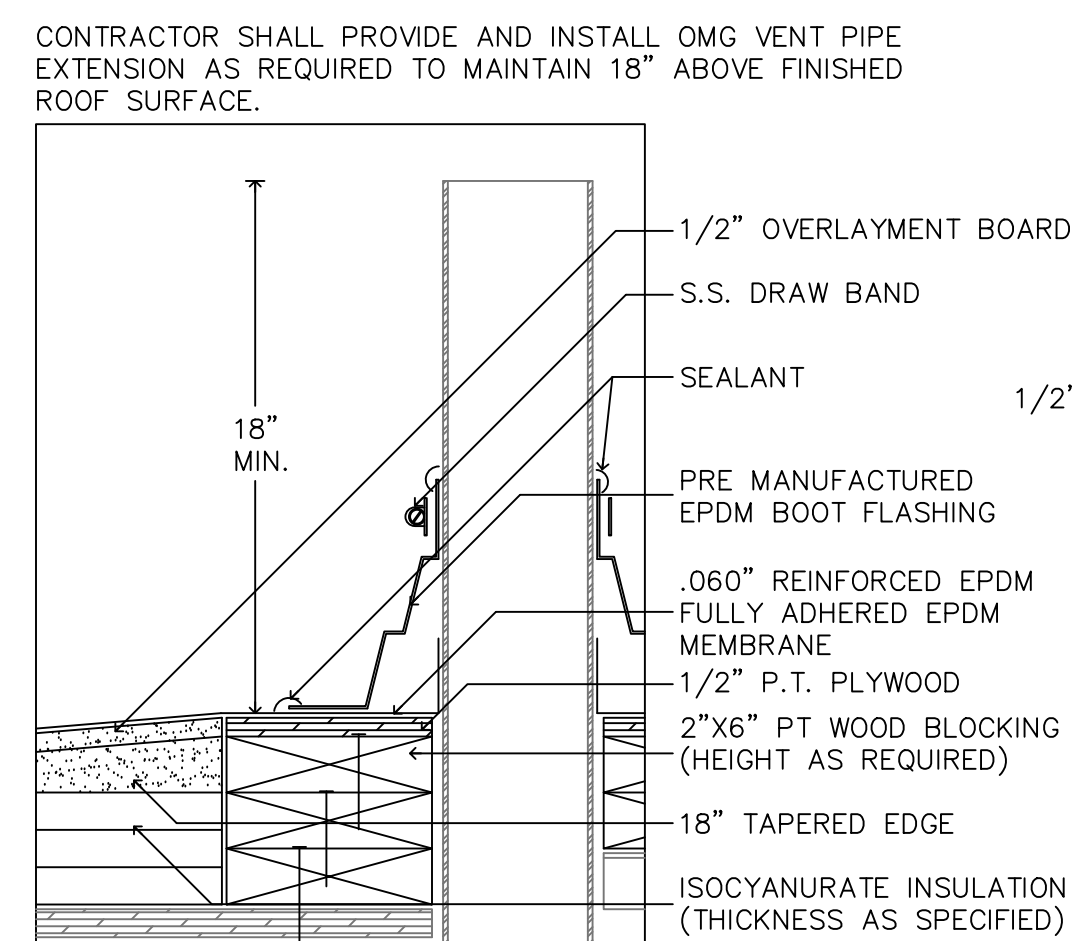
NOTE: 1. SEE DETAIL H/R5 FOR DRAIN SUMP LAYOUT
2. CONTRACTOR SHALL CLEAN EXISTING DRAIN BOWL ASSEMBLY, PROVIDE AND INSTALL NEW S.S. FASTENERS AND CAST IRON DRAIN STRAINER TO FIT EXISTING.

G
R5 **DRAIN FLASHING**

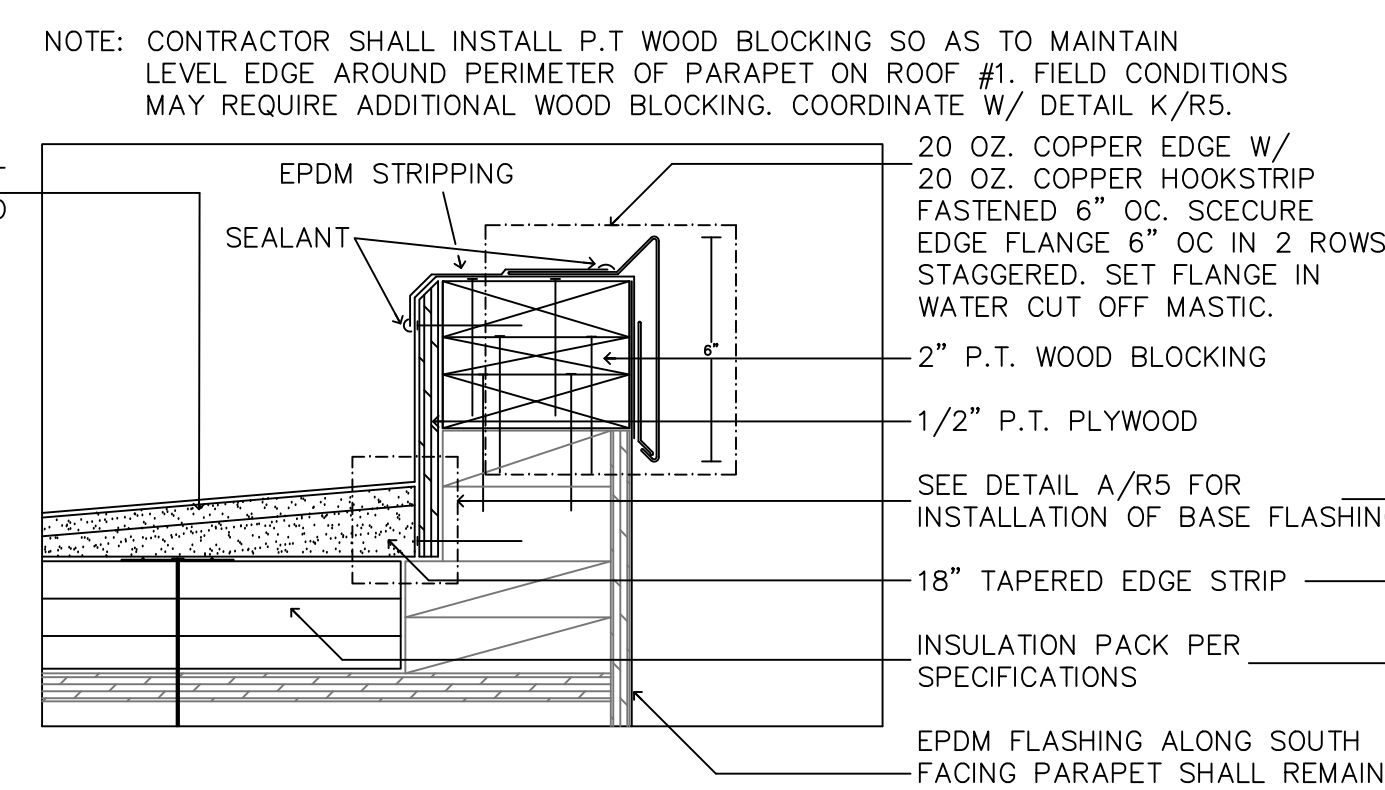


NOTE: 1. SEE DETAIL G/R5 FOR DRAIN FLASHING, R2 FOR TAPERED INSULATION LAYOUT.

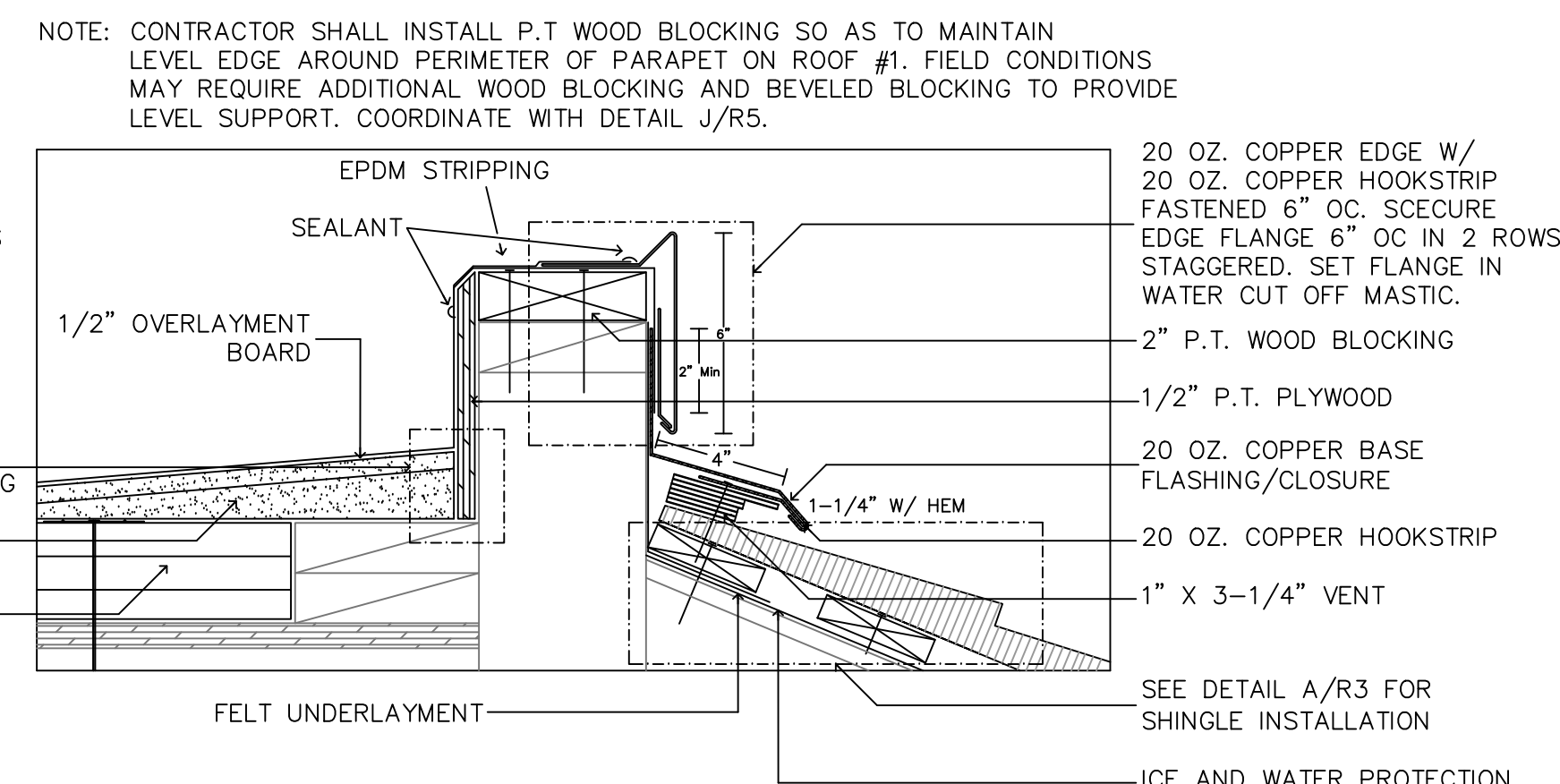
H
R5 **SUMP FLASHING**



I
R5 **VENT STACK FLASHING**

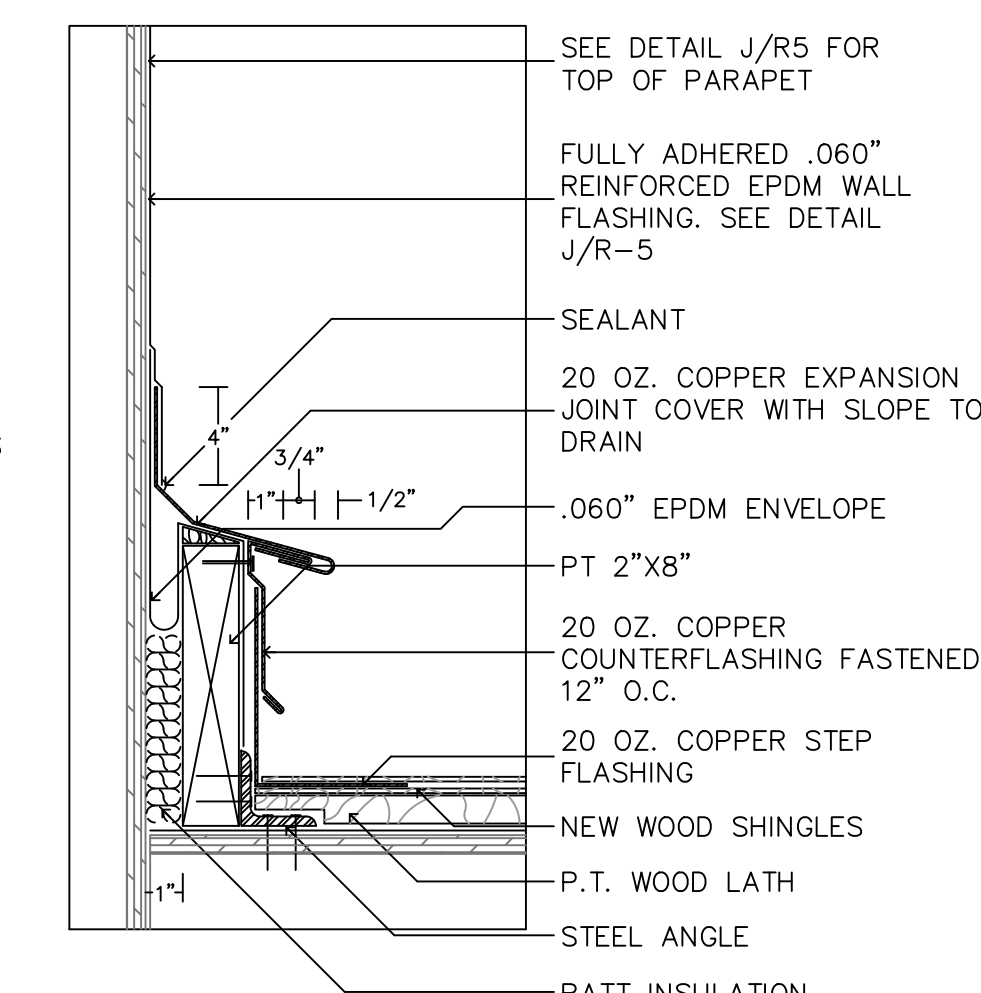


J
R5 **PARAPET WALL FLASHING**



K
R5 **PARAPET WALL TRANSITION FLASHING**

NOTE: AT AREAS OF SLOPED ROOF, MAINTAIN MIN. 4" FLASHING HEIGHTS AS PRESENTLY EXIST. FIELD CONDITIONS MAY DICTATE RAISING OF FLASHING HEIGHTS AND/OR MODIFICATIONS TO DETAIL SHOWN.



L
R5 **WALL EXPANSION JOINT**

LEGEND OF SYMBOLS

NOTATIONS

1. CONTRACTOR SHALL SCRAPE, PREPARE, PRIME AND PROVIDE 2 FINISH COATS OF TRIM PAINT AT FASCIA, RAKES AND SOFFITS.

THE DIMENSIONS GIVEN ON THE DRAWINGS AND THE LOCATIONS OF ROOF PENETRATIONS ARE OFFERED ONLY FOR CONVENIENCE AND ARE NOT WARRANTED TO BE CORRECT. THE BIDDER SHALL MAKE HIS OWN MEASUREMENTS TO DETERMINE THE SIZE OF THE ROOF AND PENETRATION LOCATIONS.

DRAWN BY: **KW** CHECKED BY: **JW**

H.F. H.B. FISHMAN & CO., INC.
300 PLEASANT VALLEY RD.
SOUTH WINDSOR, CT.
(860)282-9036

OWNERSHIP AND USE OF DOCUMENTS

DRAWINGS AND SPECIFICATION, AS INSTRUMENTS OF PROFESSIONAL SERVICE, ARE AND SHALL REMAIN THE PROPERTY OF THE CONSULTANT. THESE DOCUMENTS ARE NOT TO BE USED, IN WHOLE OR IN PART, FOR ANY PROJECTS OR PURPOSES WHATSOEVER, WITHOUT THE PRIOR SPECIFIC WRITTEN AUTHORIZATION OF H.B. FISHMAN & CO., INC.

SHEET TITLE:

**WESTON
PUBLIC LIBRARY**

56 NORFIELD STREET
WESTON, CONNECTICUT

ROOF DETAILS

PROJECT NUMBER:
18048492.3
21028977.3

SCALE:
NOT TO SCALE

DATE:
20 JULY 2018

DRAWING NUMBER

R5

