

SEDIMENT BARRIERS AND FILTERS:

Alternatives to Silt Fence and Haybales

- ▶ Sediment Barriers are typically used as perimeter controls for small disturbed areas and as initial protection against sediment pollution during construction.
- ▶ They are typically used in conjunction with other BMPs such as sediment traps, temporary diversions, runoff control and other measures.

Silt Fence

- ▶ Low suspended solids removal efficiency
- ▶ Ok for use on small areas with sheet flow and discharge to stable area
- ▶ Not suitable for filtering concentrated flows



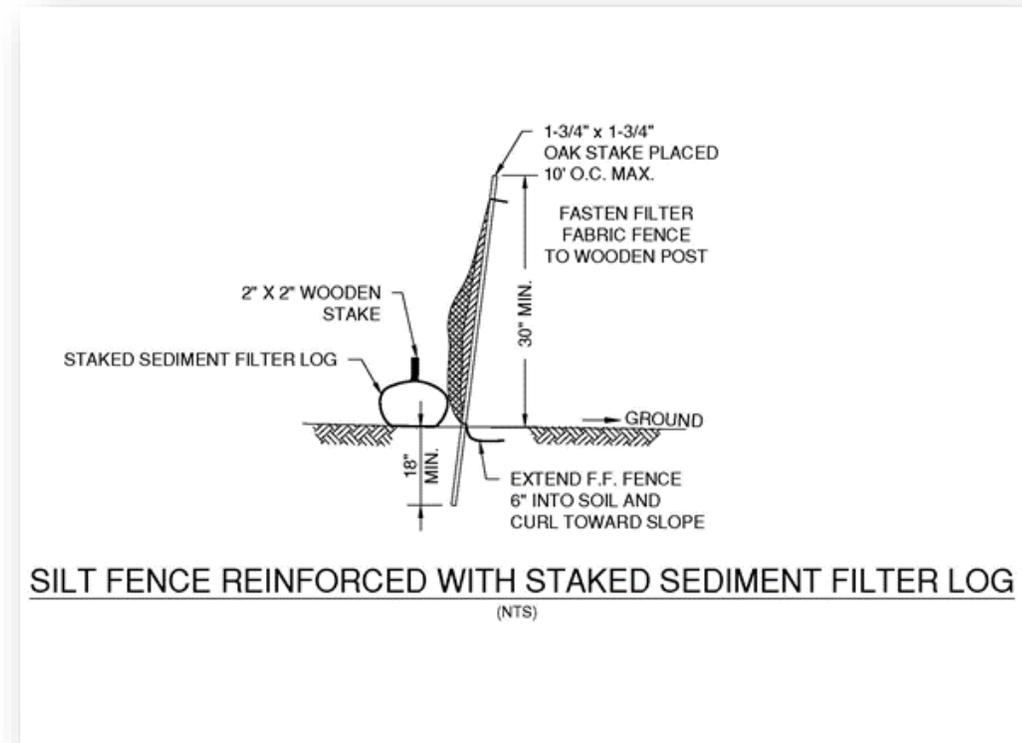
Sediment Filter Log

(aka: straw wattle, excelsior wattle, coir log)

- ▶ Tube shaped devices filled with straw, flax, rice or coconut fiber wrapped with UV-degradable polypropylene netting, or biodegradable burlap, jute or coir.
- ▶ Range of diameters available (6", 9", 12", 20")
- ▶ Low suspended solids removal efficiency
- ▶ Uses similar to silt fence
- ▶ Fits contour of land without need for trenching



Silt Fence Reinforced with Staked Sediment Filter Log



- ▶ Similar use to silt fence reinforced with staked hay bales
- ▶ Improved sediment removal efficiency over silt fence alone
- ▶ Sediment filter log fits contour of land without need for trenching

Compost Filter Sock

(aka: silt sock)

- ▶ Biodegradable or photodegradable mesh tube filled with a coarse compost filter media
- ▶ Range of diameters available (typically 8", 12", 18, 24")
- ▶ Can be purchased as pre-filled socks or fillable tubes (typically filled with a pneumatic blower).
- ▶ Compost should be a well-decomposed, aerobically composted, weed-free organic matter.
- ▶ Compost filter media can be adjusted for suspended solids removal, nutrient removal, metals removal, motor oil removal.
- ▶ High sediment removal efficiency
- ▶ Fits contour of land

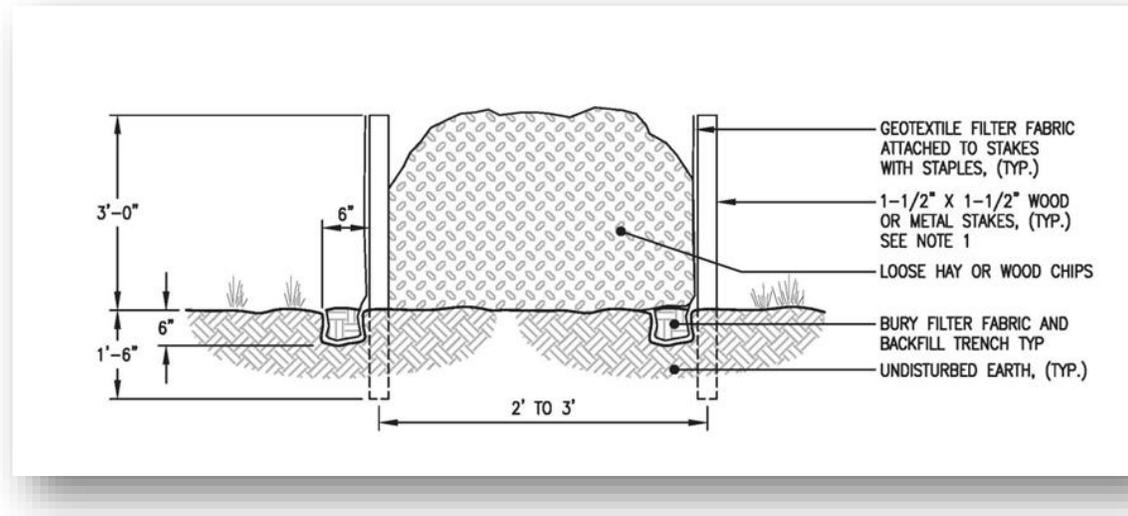


Multi-Layer Geotextile Filter Fence



- ▶ Siltron 3-Layer composite fence
- ▶ Installed similar to silt fence but enhanced strength and sediment filtering efficiency similar to compost filled socks

Double Row Silt Fence with Filter Media



- ▶ Two rows of silt fence with loose straw or compost sandwiched between fences.
- ▶ Enhanced sediment filtering efficiency for use adjacent to sensitive areas such as wetlands and watercourses.

Portable Wattles



- ▶ Portable, movable filter sock
- ▶ Straw-filled, heavy-duty polyethylene netting
- ▶ Useful on paved areas to surround catch basins or temporary diversions