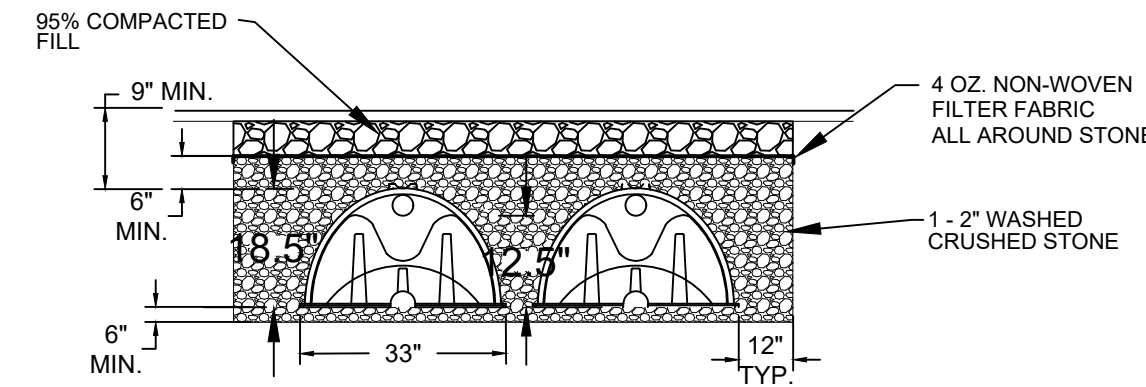
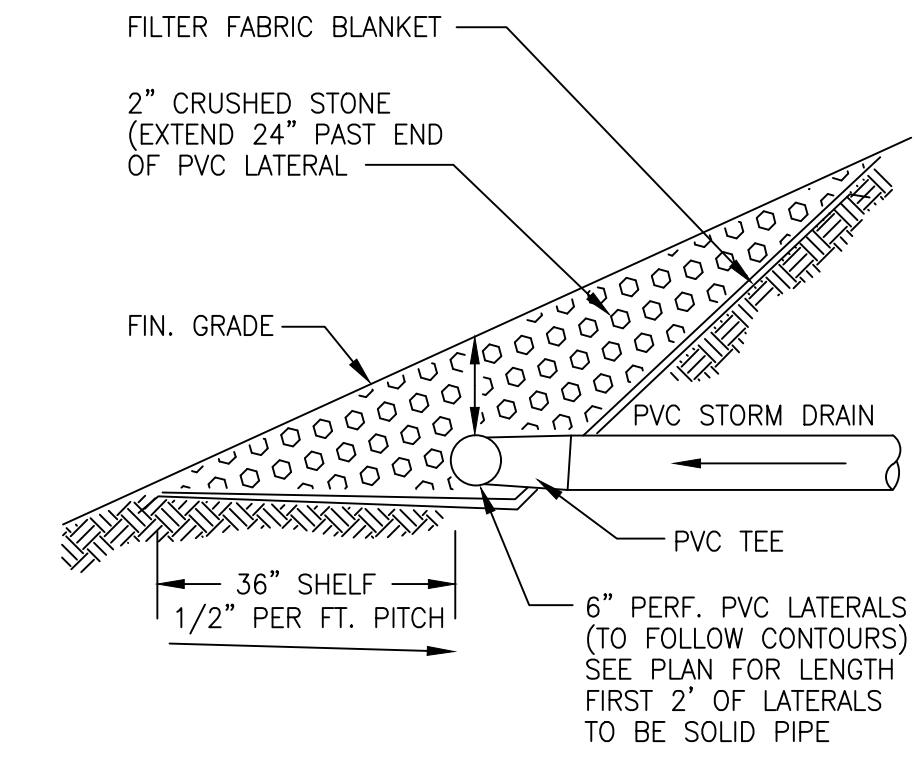


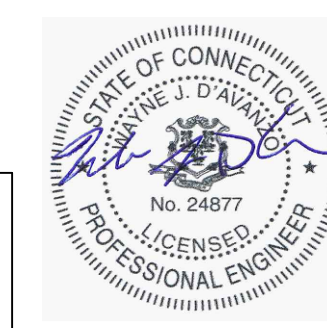
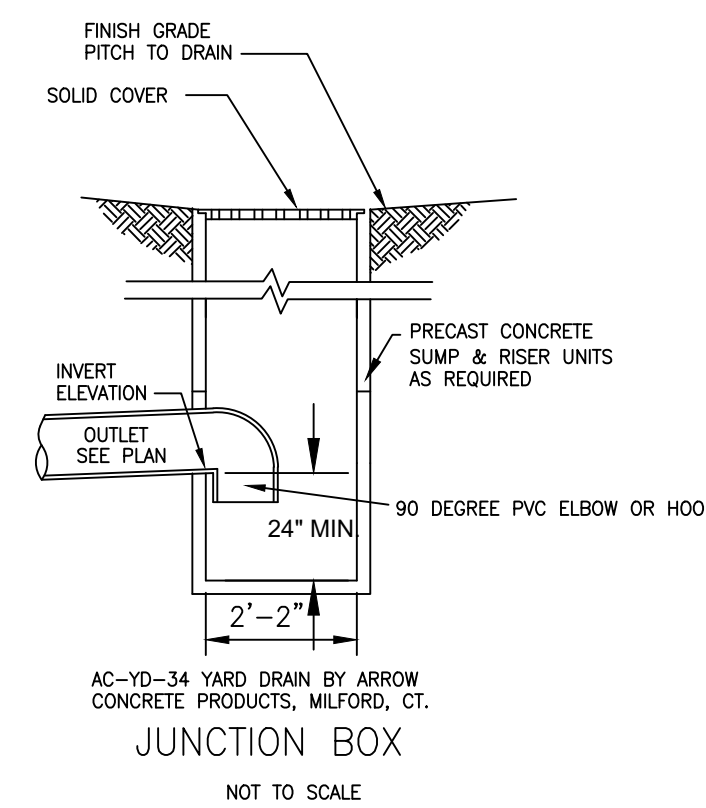
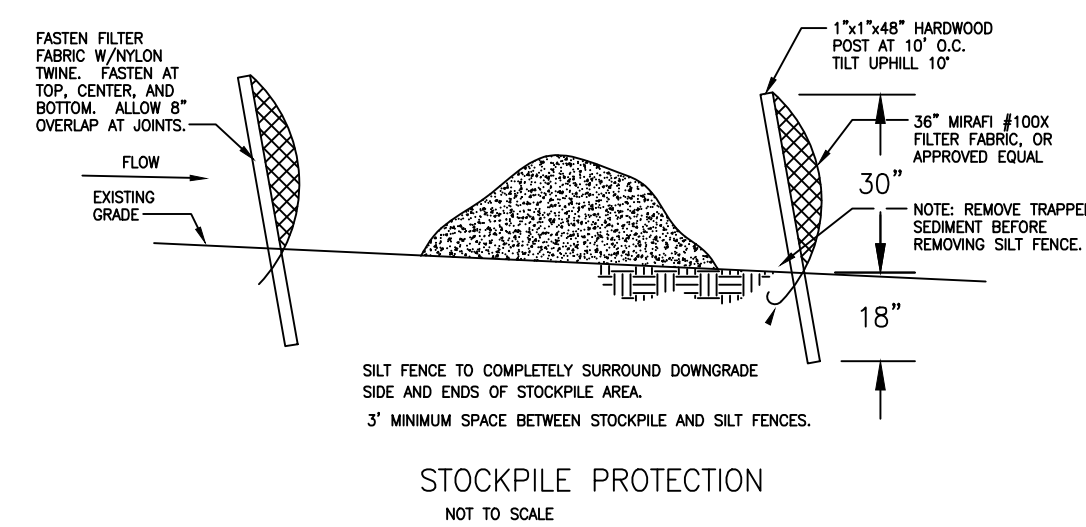
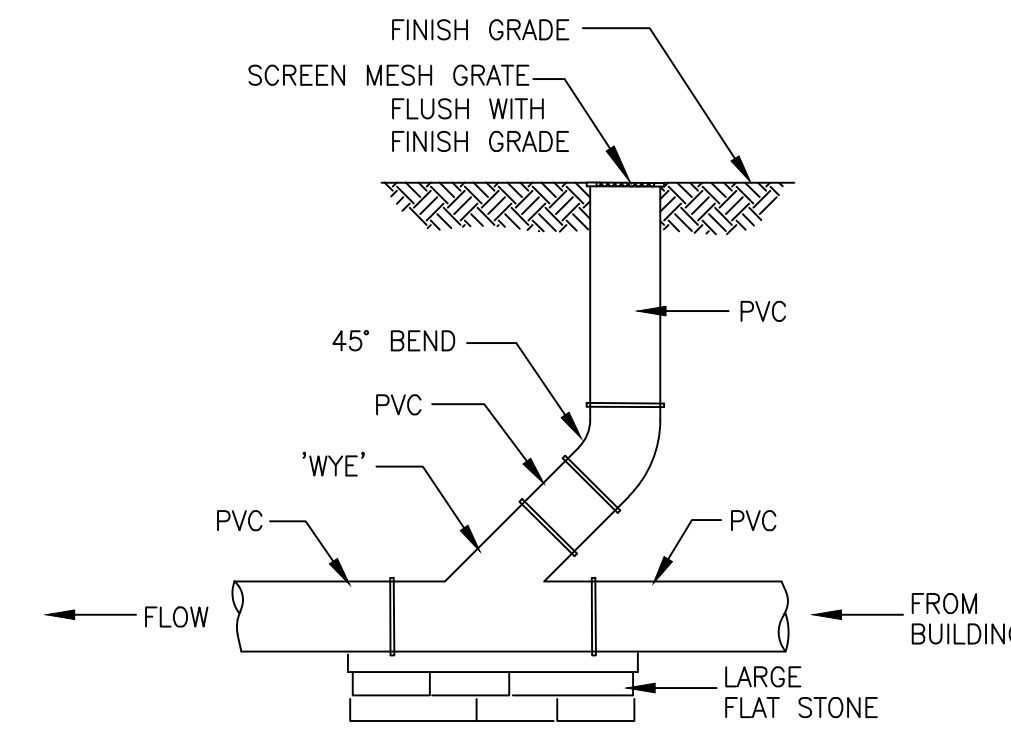
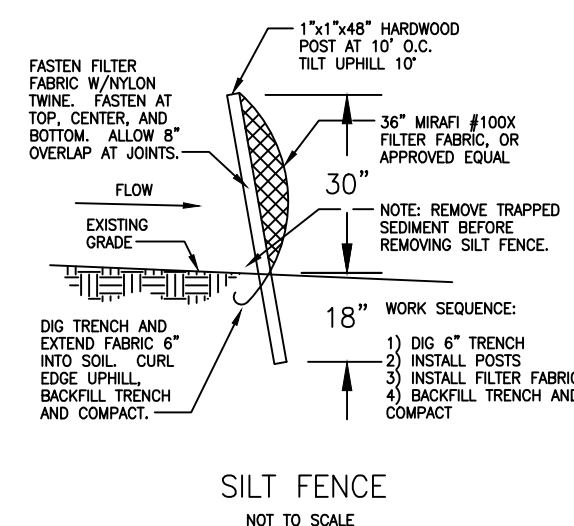
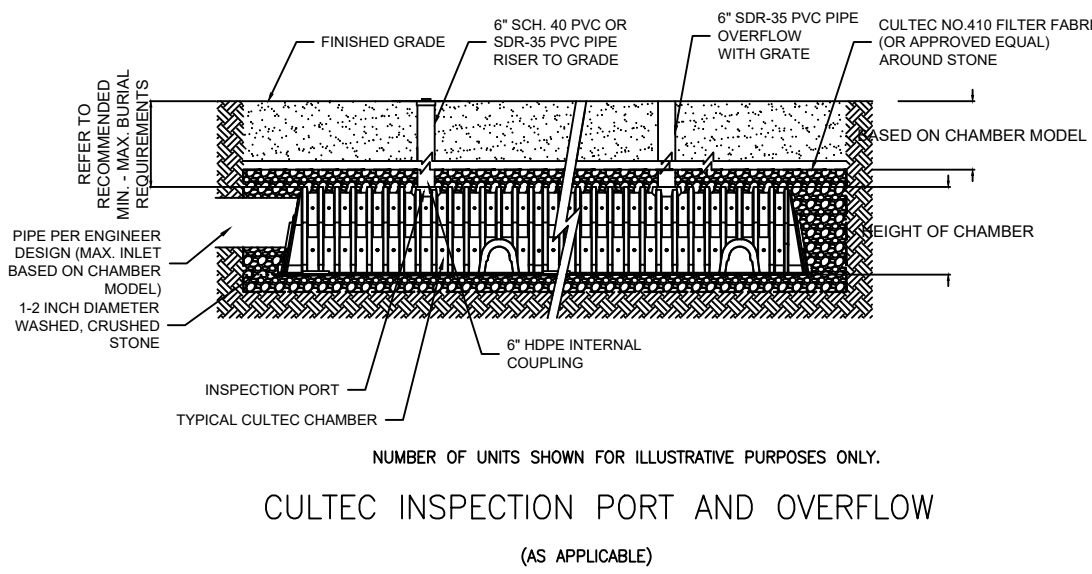
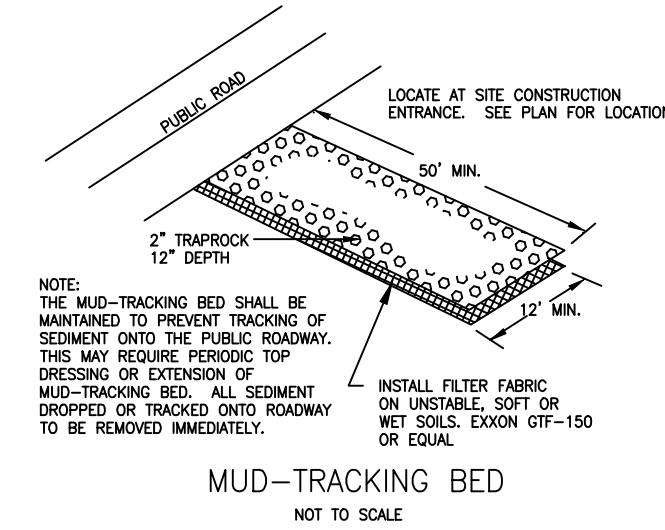
FCE Project #	2370	Date Performed:	3/15/2024
Client:	Tom Geremek		
Location:	60 Georgetown Road, Weston		
Observed by:	Wayne D'Avanzo		
Test Hole 1:			
	0-7"	Topsoil	
	7-48"	Light Brown Gravel and Silt, stony	
		No Ground Water	
		Mottling @ 26"	
		No Ledge	
		Roots to 26"	



**CULTEC RECHARGER 150XLHD
TYPICAL CROSS SECTION**



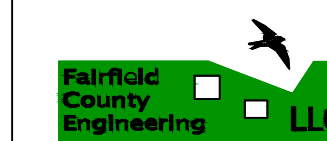
LEVEL SPREADER



REV. 3/27/24: PIPES REDIRECTED.
TOM GEREMEK
60 GEORGETOWN ROAD WESTON, CONNECTICUT

3-15-24
date

DETAIL SHEET



CIVIL ENGINEERS

2370
project

FAIRFIELD COUNTY ENGINEERING L.L.C.
60 WINFIELD STREET, NORWALK, CONNECTICUT 06855 PH: (203) 831-8005 FAX: (203) 831-8006

2 OF 2
sheet